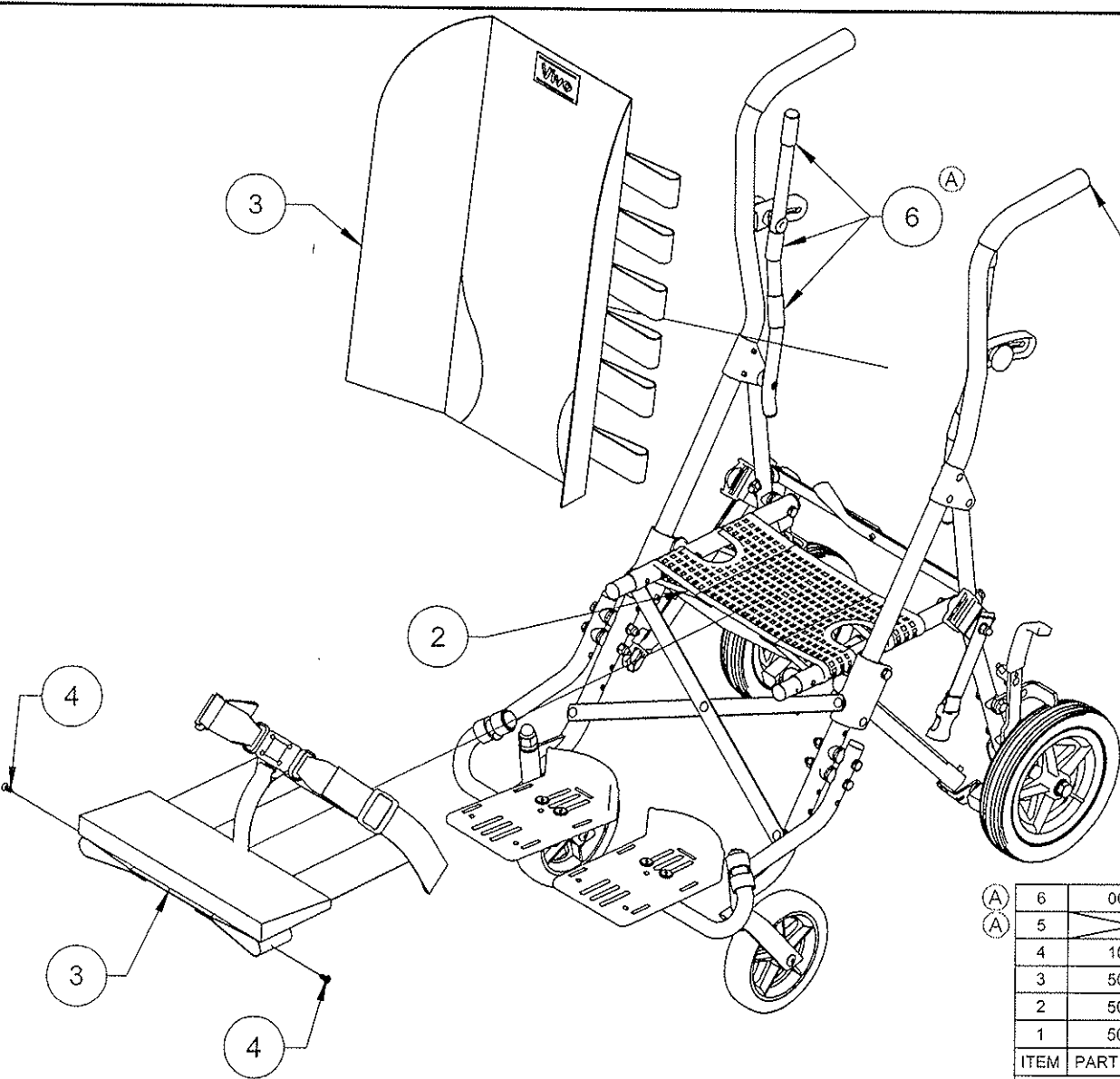


**WV-12**



REVISION			
REV	DESCRIPTION	DATE	APPROVED
-	INITIAL RELEASE PER ECO#000929	10/3/06	EN
A	REVISED PER ECO#001002	5/22/08	EN

(A)	6	000383	VELCRO HOOK - ADHESIVE BACKED 2" BLACK	6
(A)	5			
	4	100063	SHEET METAL SCREW #10 X 1/2"	2
	3	505420	VV-12 SEAT ASSY	1
	2	505419	VV-12 SEAT SUPPORT	1
	1	505414	VV-12 FRAME ASSY	1
ITEM	PART NUMBER	DESCRIPTION		QTY

PARTS LIST

UNLESS OTHERWISE SPECIFIED  
 DIMENSIONS ARE IN INCHES  
 TOLERANCES ARE:  
 DECIMALS  
 .x ± .06 .xx ± .03 .xxx ± .010  
 FRACTIONS ± 1/16 ANGLES ± 1

**Convoid** P.O. Box 4209  
 Palos Verdes, CA 90274, USA

TITLE  
**VV-12 FRAME ASSY WITH FABRIC**

APPROVAL	DATE	SIZE	DWG NO	REV
DRAWN Turner	7/7/2006	A	505421	A
CHECKED BA	9/11/2006			
APPROVED EN	10/3/2006	SCALE NTS	PRODUCT VV-12	SHEET 1 OF 1


NOTES: UNLESS OTHERWISE SPECIFIED.

PARTS LIST			
ITEM	PART NUMBER	DESCRIPTION	QTY
1	505410	VV-12 FRONT FRAME ASSY	1
2	505412	VV-12 REAR FRAME ASSY	1
3	505302	VV-12 SEAT TUBE	2
4	505411	VV-12 REAR LOCK BRACE ASSY	1
5	100009	BOLT 1/4"-28 X 3" HEX HEAD	2
6	100089	WASHER 1/4" AN-960-416	6
7	100065	COVER WASHER - 3/4"	12
8	100478	NYLON WASHER 1/4" X 3/4" X 1/8"	8
9	100025	NYLON WASHER 1/4" X 1/2"	6
10	505332	SEAT BELT ADJUSTMENT ASSY 1-1/2"	2
11	502096	CLOSING STRAP ASSEMBLY	1
12	100172	LOCKNUT 1/4"-28 CAPPED NYLON	4
13	100286	LOCKNUT 1/4"-28 JAM FLEXLOCK BLACK ZINC	2
14	100267	BOLT 1/4"-28 X 1-1/2" HEX HEAD	2
15	100698	PLASTIC KNOB 1/4"-20 X 1.5" MALE STUD	2
16	506306	VV-12 SEAT BACK TUBE ASSY LH	1
17	100394	LOCKNUT 1/4"-20 JAM NYLON INSERT	2
18	100356	RIVET 3/16" X 1-7/8" S/T	2
19	100013	NYLON WASHER 1/4" X 1 1/16"	4
20	100120	BACK UP WASHER 3/16"	2
21	100049	BOLT 7/16"-20 X 4" HEX HEAD	2
22	100090	WASHER 7/16" AN-960-716	10
23	505406	8" EVA WHEEL ASSY WITH BEARINGS	2
24	100021	LOCKNUT 7/16"-20 NYLON INSERT BLACK ZINC	2
25	505405	6" EVA WHEEL ASSY WITH BEARINGS	2
26	505404	VIVO CASTER ASSY	2
27	503507	SEX BOLT MALE .312-18	2
28	503508	SEX BOLT FEMALE .312-18	2
29	100130	"O" RING BEUNA-NITRIAL	2
30	100405	LOCKNUT 1/2"-20 CAPPED NYLON	2
31	505399	VV-12 SEAT EXTENSION TUBE ASSY	2
32	000167	3M RUBBER & GASKET ADHESIVE	AR
33	500226	HANDLE GRIP 3/4" ID X 7"	2
34	502808	ADHESIVE LABEL-TEMPLATE	1
35	506307	VV-12 SEAT BACK TUBE ASSY RH	1

ⓑ

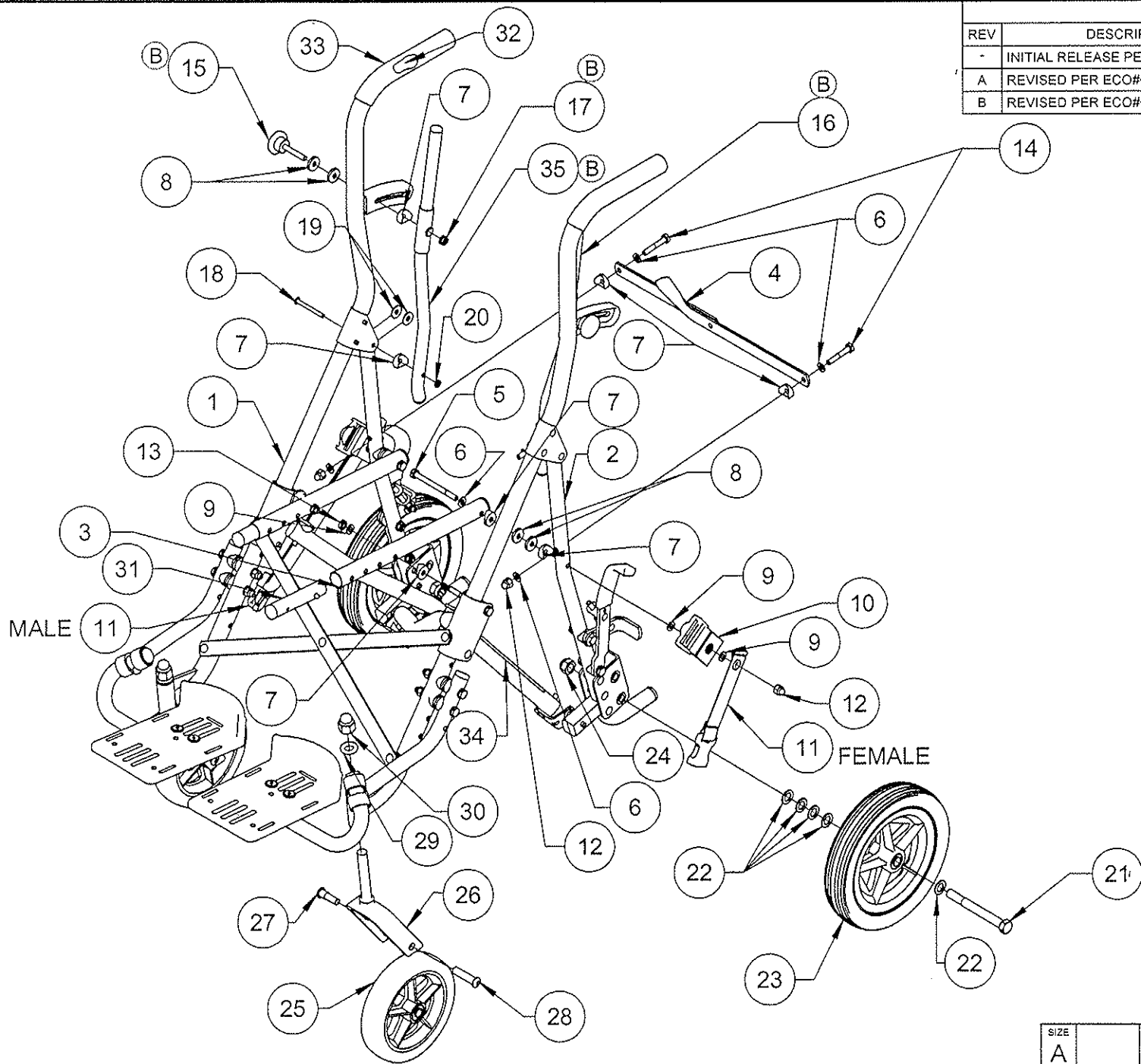
ⓑ

REVISION			
REV	DESCRIPTION	DATE	APPROVED
-	INITIAL RELEASE PER ECO#000929	10/3/06	EN
A	REVISED PER ECO#001002	3/22/08	EN
B	REVISED PER ECPO#001024	6/25/08	EN

UNLESS OTHERWISE SPECIFIED DIMENSIONS ARE IN INCHES TOLERANCES ARE: DECIMALS .x ± .06 .xx ± .03 .xxx ± .010		 P.O. Box 4209 Palos Verdes, CA 90274, USA	
FRACTIONS ± 1/16 ANGLES ± 1		TITLE VV-12 FRAME ASSY	
APPROVAL	DATE	SIZE	DWG NO
DRAWN Turner	6/29/2006	A	505414
CHECKED BA	9/11/2006		
APPROVED EN	10/3/2006	SCALE NTS	PRODUCT VV12
			REV B
			SHEET 1 OF 2

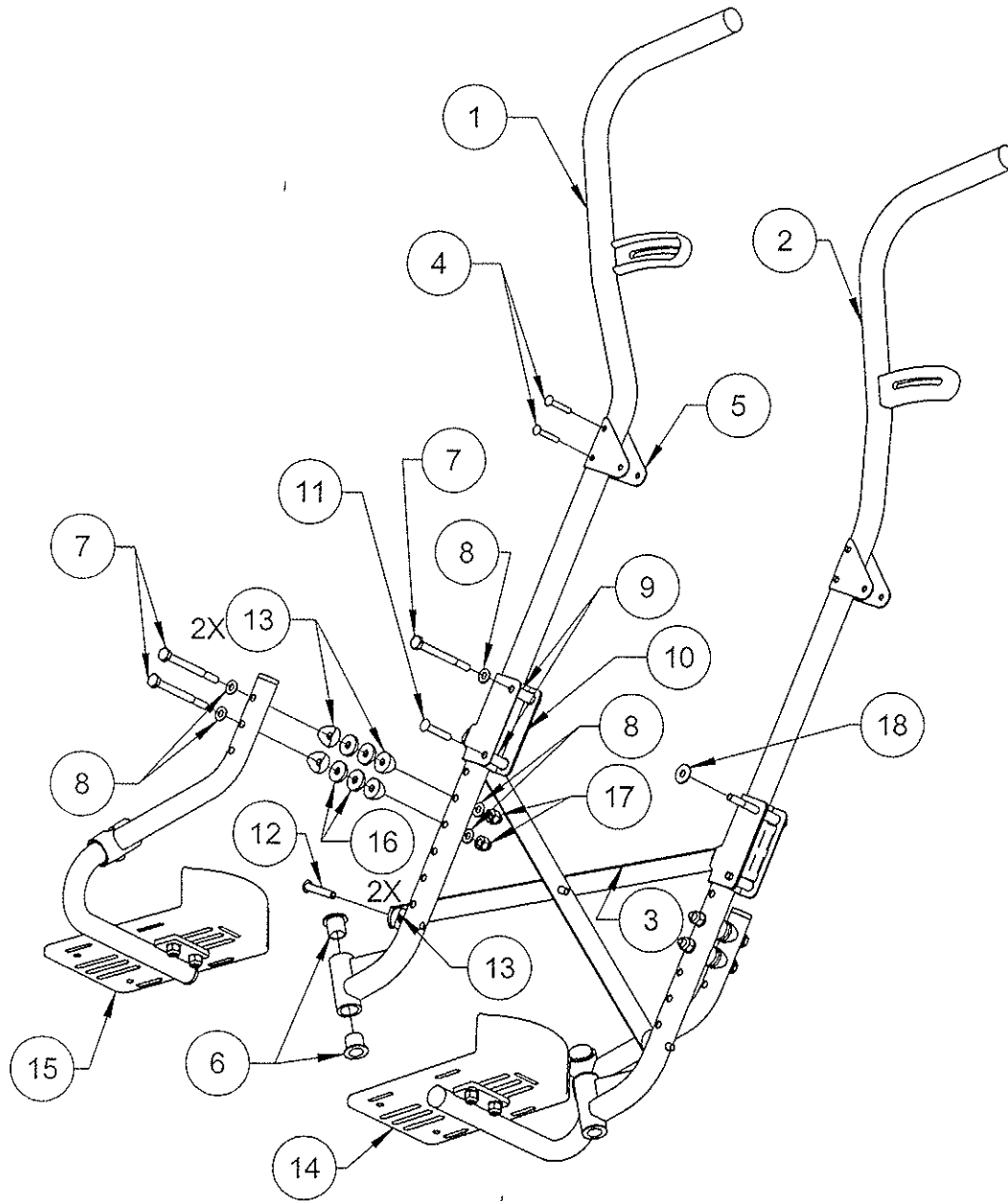
NOTES: UNLESS OTHERWISE SPECIFIED.

REVISION			
REV	DESCRIPTION	DATE	APPROVED
-	INITIAL RELEASE PER ECO#000929	10/3/06	EN
A	REVISED PER ECO#001002	5/22/08	EN
B	REVISED PER ECO#001024	6/25/08	EN



SIZE	DWG NO	REV
A	505414	B
SCALE NTS	PRODUCT	SHEET 2 OF 2
	VV12	

REVISION			
REV	DESCRIPTION	DATE	APPROVED
-	INITIAL RELEASE PER ECO#000929	10/3/06	EN
A	UPDATED PER ECO#001002	5/22/08	EN



ITEM	PART NUMBER	DESCRIPTION	QTY
18	100013	NYLON WASHER 1/4" X 1 1/16"	2
17	100172	LOCKNUT 1/4"-28 CAPPED NYLON	4
16	100478	NYLON WASHER 1/4" X 3/4" X 1/8"	8
15	505407	VV-12 FOOTREST ASSY LH	1
14	505408	VV-12 FOOTREST ASSY RH	1
13	100065	COVED WASHER - 3/4"	10
12	100030	RIVET 1/4" X 1-3/8" S/T STEEL	2
11	100050	RIVET 1/4" X 1-5/16" S/T STEEL	2
10	500231	NYLON SLEEVE-LARGE	2
9	100149	SPACER 1/4" X 1" HEAVY FK	4
8	100089	WASHER 1/4" AN-960-416	10
7	100024	BOLT 1/4"-28 X 2-3/4" HEX HEAD	6
6	100523	IGUS BUSHING FLANGE 1/2" ID X 5/8" OD	4
5	500511	PIVOT BRACKET 7/8" - 7/8"	2
4	100031	RIVET 3/16" X 1-1/8" S/T	4
3	505398	VV-12 FRONT X BRACE ASSY	1
2	505275	VV-12 HANDLE TUBE WELDED RH	1
1	505274	VV-12 HANDLE TUBE WELDED LH	1

PARTS LIST

UNLESS OTHERWISE SPECIFIED  
DIMENSIONS ARE IN INCHES  
TOLERANCES ARE:  
DECIMALS  
.x ± .06    .xx ± .03    .xxx ± .010  
FRACTIONS ± 1/16    ANGLES ± 1

**Convaid** P.O. Box 4209  
Palos Verdes, CA 90274, USA

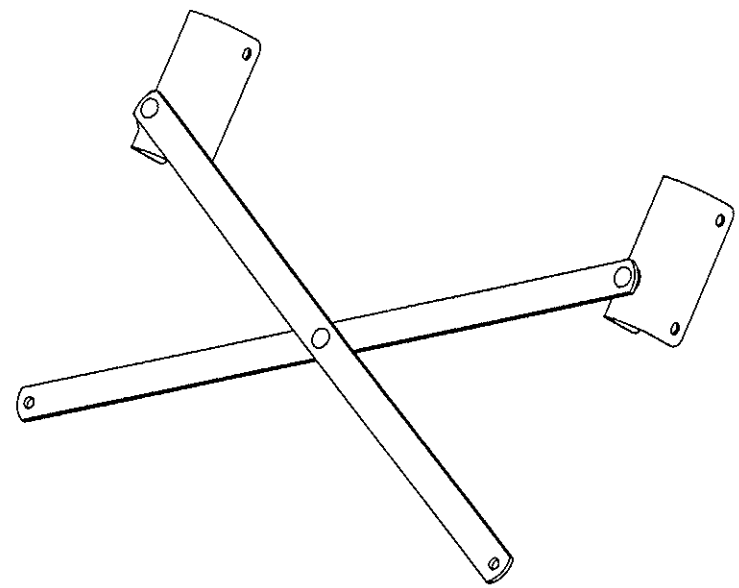
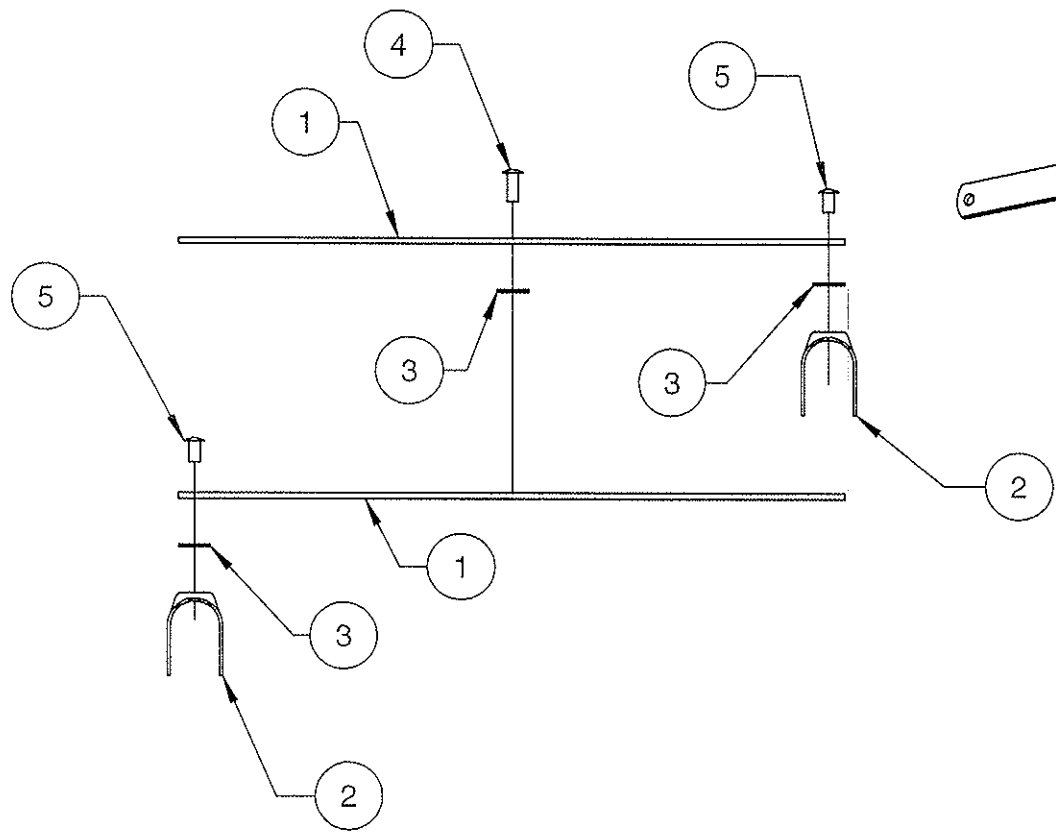
TITLE  
**VV-12 FRONT FRAME ASSY**

APPROVAL	DATE	SIZE	DWG NO	REV
Turner	5/19/2006	A	505410	A
CHECKED	BA	9/11/2006		
APPROVED	EN	10/3/2006	SCALE NTS	PRODUCT VV12


SHEET 1 OF 1

NOTES: UNLESS OTHERWISE SPECIFIED.

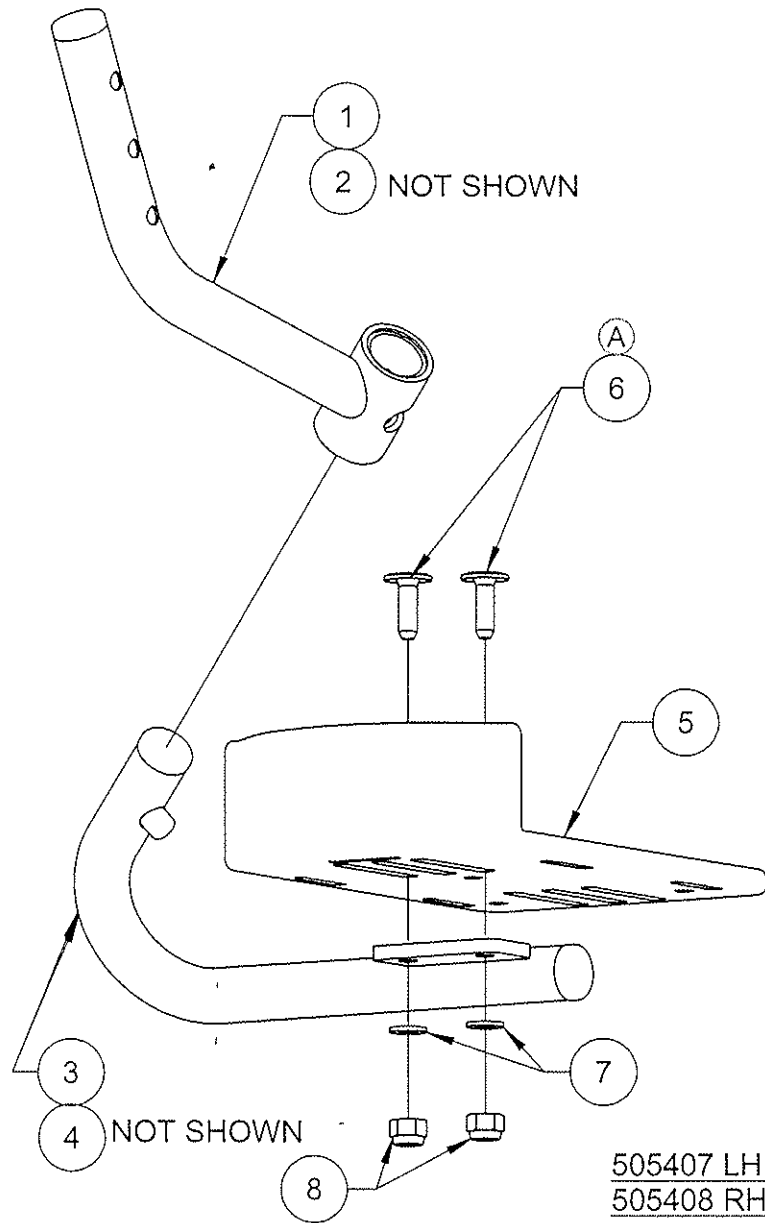
REVISION			
REV	DESCRIPTION	DATE	APPROVED
-	INITIAL RELEASE PER ECO#000929	10/3/00	WJ



ITEM	PART NUMBER	DESCRIPTION	QTY
5	100035	RIVET 1/4" X 7/16" S/T	2
4	100246	RIVET 1/4" X 5/8" S/T	1
3	100013	NYLON WASHER 1/4" X 11/16"	3
2	500230	SLIDE HOUSING 7/8" ROUND	2
1	505273	VV-12 FRONT X BAR	2

PARTS LIST			
UNLESS OTHERWISE SPECIFIED DIMENSIONS ARE IN INCHES TOLERANCES ARE: DECIMALS .x ± .06 .xx ± .03 .xxx ± .010		 P.O. Box 4209 Palos Verdes, CA 90274, USA	
FRACTIONS ± 1/16 ANGLES ± 1		TITLE VV-12 FRONT X BRACE ASSY	
APPROVAL	DATE	SIZE	DWG NO
TURNER	5/11/2005		505398
CHECKED	BA	SCALE 1/4	PRODUCT VV12
APPROVED	WJ	REV	SHEET 1 OF 1

NOTES: UNLESS OTHERWISE SPECIFIED.



505407 LH SHOWN  
505408 RH OPPOSITE

REVISION			
REV	DESCRIPTION	DATE	APPROVED
-	INITIAL RELEASE PER ECO#000929	10/3/06	EN
A	REVISED PER ECO#001000	12/12/07	EN

8	100570	LOCKNUT 1/4"-20 NYLON INSERT (FULL)	2
7	100089	WASHER 1/4" AN-960-416	2
A 6	100587	BOLT, JOINT CONNECTOR 1/4"-20 X 20MM	2
5	504947	CX-10 FOOTPLATE	1
4	505443	VV-12 FOOTREST TUBE ASSY RH	1
3	505442	VV-12 FOOTREST TUBE ASSY LH	1
2	505289	VIVO FOOTPLATE EXTENSION TUBE WELDED RH	1
1	505288	VIVO FOOTPLATE EXTENSION TUBE WELDED LH	1
ITEM	PART NUMBER	DESCRIPTION	QTY

PARTS LIST

UNLESS OTHERWISE SPECIFIED  
DIMENSIONS ARE IN INCHES  
TOLERANCES ARE:  
DECIMALS  
.x ± .06 .xx ± .03 .xxx ± .010

**Convoid** P.O. Box 4209  
Palos Verdes, CA 90274, USA

TITLE  
**VV-12 FOOTPLATE ASSY**

FRACTIONS ± 1/16 ANGLES ± 1

APPROVAL	DATE
----------	------

DRAWN	Turner	5/18/2006
-------	--------	-----------

CHECKED	BA	8/31/2006
---------	----	-----------

APPROVED	EN	10/3/2006
----------	----	-----------

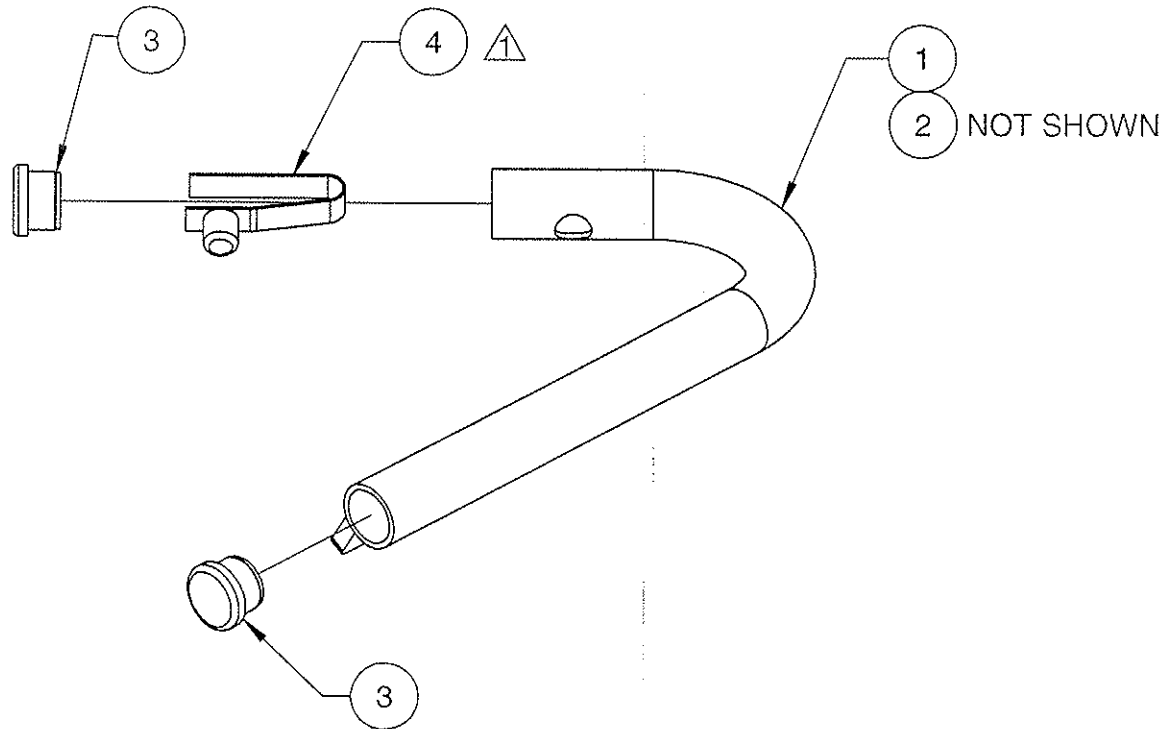
SIZE	DWG NO	REV
------	--------	-----

A	505407/8	A
---	----------	---

SCALE	NTS	PRODUCT	VV12	SHEET	1 OF 1
-------	-----	---------	------	-------	--------

NOTES: UNLESS OTHERWISE SPECIFIED.

REVISION			
REV	DESCRIPTION	DATE	APPROVED
-	INITIAL RELEASE PER ECO#000929	10/9/00	WJ



505442 LH SHOWN  
505443 RH OPPOSITE

ITEM	PART NUMBER	DESCRIPTION	QTY
4	100232	SNAP BUTTON 3/8"	1
3	100164	TUBE END 3/4" ROUND .065 WALL	2
2	505286	VIVO FOOTPLATE TUBE WELDED RH	1
1	505285	VIVO FOOTPLATE TUBE WELDED LH	1

PARTS LIST

UNLESS OTHERWISE SPECIFIED  
DIMENSIONS ARE IN INCHES  
TOLERANCES ARE:  
DECIMALS

x ± .06 .xx ± .03 .xxx ± .010

FRACTIONS ± 1/16 ANGLES ± 1

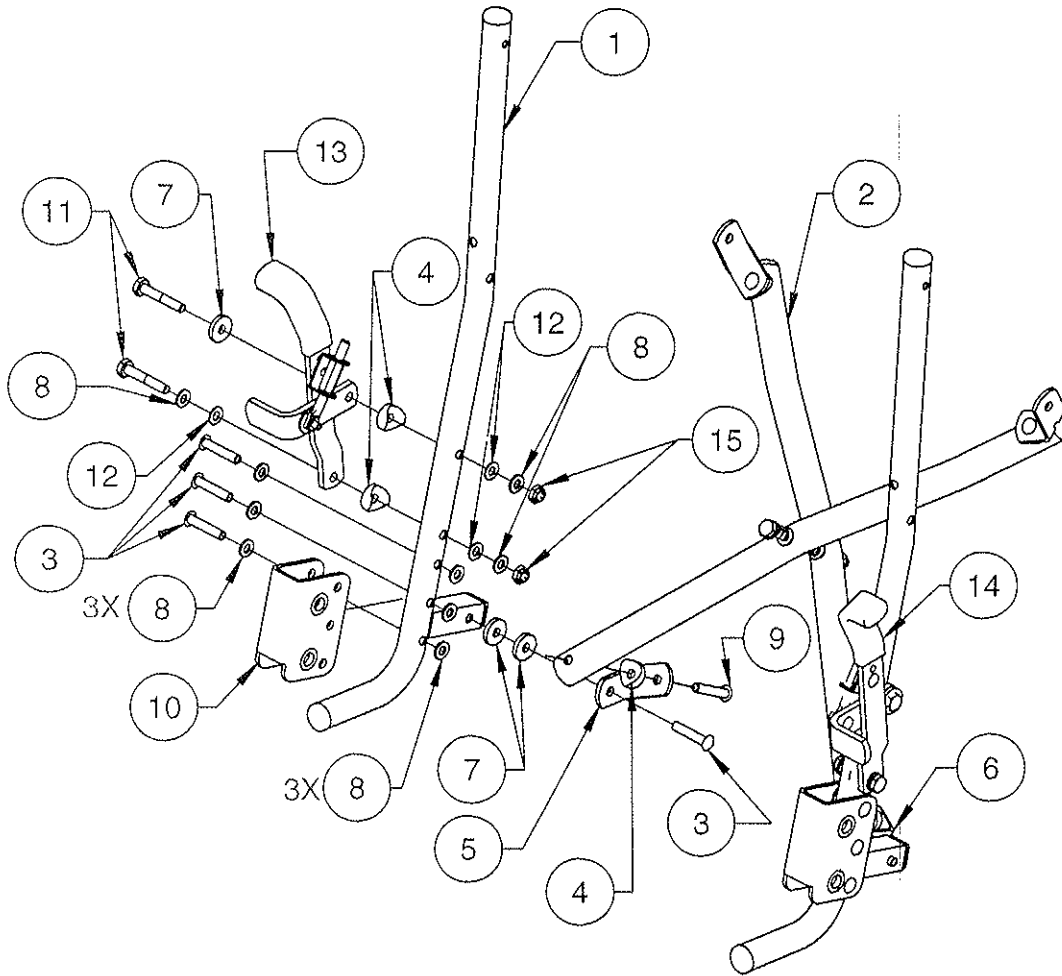
**Convaid** P.O. Box 4209  
Palos Verdes, CA 90274, USA

TITLE  
VV-12 FOOTPLATE TUBE ASSY

APPROVAL	DATE	SIZE	DWG NO	REV
DRAWN Turner	5/18/2006		505442/3	-
CHECKED <i>[Signature]</i>	9/27/00			
APPROVED <i>[Signature]</i>	10/9/00	SCALE NTS	PRODUCT VV12	SHEET 1 OF 1

⚠ INSTALL SNAP BUTTON INTO FOOTREST TUBE UNTIL IT LOCKS INTO .406 DIAMETER HOLE, AS SHOWN  
NOTES: UNLESS OTHERWISE SPECIFIED.

REVISION			
REV	DESCRIPTION	DATE	APPROVED
-	INITIAL RELEASE PER ECO#000929	10/3/00	W



15	100286	LOCKNUT 1/4"-28 JAM FLEXLOCK BLACK ZINC	4
14	505403	VIVO TOGGLE BRAKE ASSY RH	1
13	505402	VIVO TOGGLE BRAKE ASSY LH	1
12	100025	NYLON WASHER 1/4" X 1/2"	6
11	100267	BOLT 1/4"-28 X 1-1/2" HEX HEAD	4
10	503848	AXLE BRACKET	2
9	100050	RIVET 1/4" X 1-5/16" S/T STEEL	2
8	100089	WASHER 1/4" AN-960-416	18
7	100478	NYLON WASHER 1/4" X 3/4" X 1/8"	6
6	500017	CLEAT, RH	1
5	500016	CLEAT, LH	1
4	100065	COVERED WASHER - 3/4"	6
3	100209	RIVET 1/4" X 1-1/4" S/T ZINC	8
2	505413	VV-12 REAR X ASSY	1
1	505444	VV-12 REAR LEG ASSY	2

ITEM	PART NUMBER	DESCRIPTION	QTY
PARTS LIST			

UNLESS OTHERWISE SPECIFIED  
DIMENSIONS ARE IN INCHES  
TOLERANCES ARE:  
DECIMALS  
x ± .06 xx ± .03 xxx ± .010  
FRACTIONS ± 1/16 ANGLES ± 1

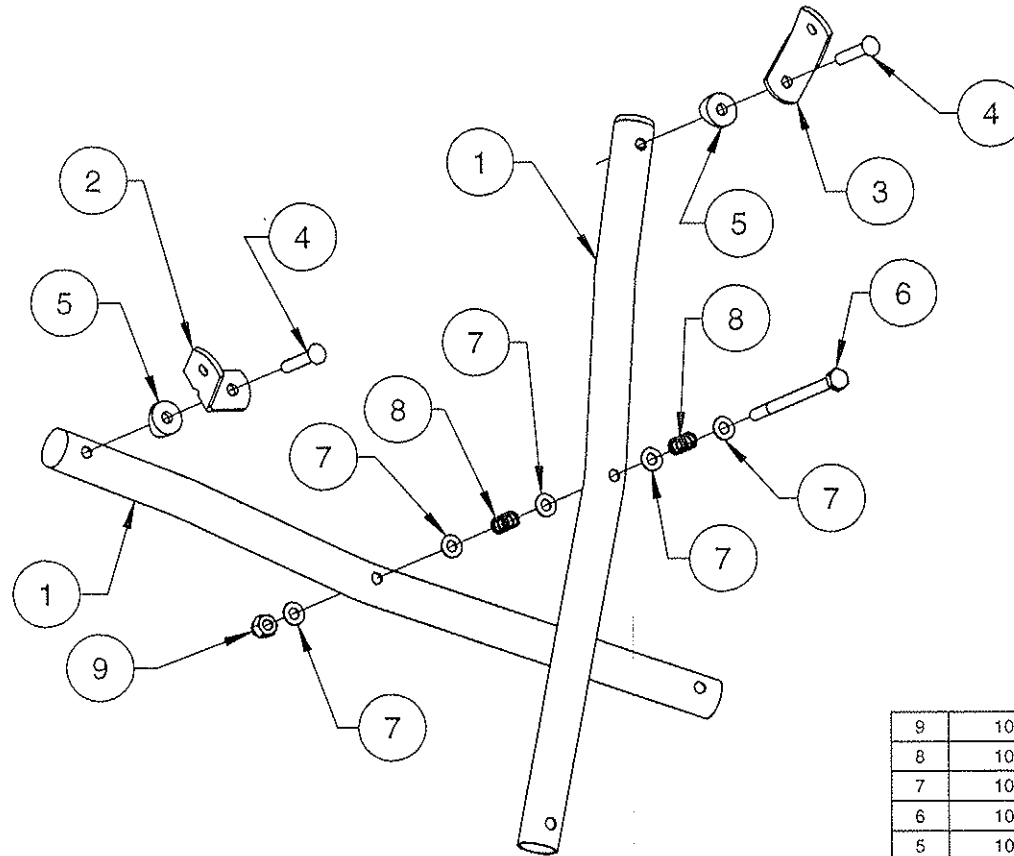
**Convoid** P.O. Box 4209  
Palos Verdes, CA 90274, USA

TITLE  
**VV-12 REAR FRAME  
ASSEMBLY**

DRAWN	Turner	6/6/2006	SIZE	DWG NO	REV
CHECKED			5A	505412	-
APPROVED			SCALE NTS	PRODUCT VV12	SHEET 1 OF 1

NOTES: UNLESS OTHERWISE SPECIFIED.

REVISION			
REV	DESCRIPTION	DATE	APPROVED
-	INITIAL RELEASE PER ECO#000929	10/3/06	aw



9	100172	LOCKNUT 1/4"-28 CAPPED NYLON	1
8	100027	COMPRESSION SPRING-FRONT X	2
7	100025	NYLON WASHER 1/4" X 1/2"	5
6	100046	BOLT 1/4"-28 X 3-1/2" HEX HEAD	1
5	100065	COVERED WASHER - 3/4"	2
4	100050	RIVET 1/4" X 1-5/16" S/T STEEL	2
3	500016	CLEAT, LH	1
2	500017	CLEAT, RH	1
1	502482	EZ-12 REAR "X" TUBE ASSEMBLY	2
ITEM	PART NUMBER	DESCRIPTION	QTY

PARTS LIST

UNLESS OTHERWISE SPECIFIED  
DIMENSIONS ARE IN INCHES  
TOLERANCES ARE:  
DECIMALS

.x ± .06 .xx ± .03 .xxx ± .010

FRACTIONS ± 1/16 ANGLES ± 1

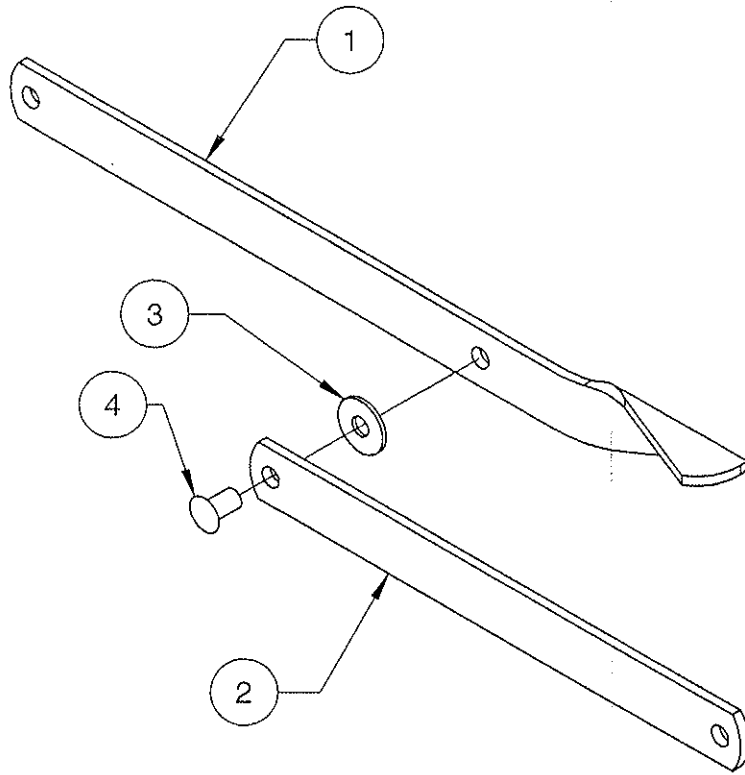
 **Convoid** P.O. Box 4209  
Palos Verdes, CA 90274, USA

TITLE  
**VV-12 REAR X BRACE ASSY**

APPROVAL	DATE	SIZE	DWG NO	REV
Turner	6/5/2006	A	505413	-
CHECKED	aw			
APPROVED	aw	10/3/06	SCALE NTS	PRODUCT VV12

NOTES: UNLESS OTHERWISE SPECIFIED.


REVISION			
REV	DESCRIPTION	DATE	APPROVED
-	INITIAL RELEASE PER ECO#000929	10/3/06	W



ITEM	PART NUMBER	DESCRIPTION	QTY
4	100035	RIVET 1/4" X 7/16" S/T	1
3	100013	NYLON WASHER 1/4" X 11/16"	1
2	505293	VV-12 LOCK BRACE	1
1	505292	VV-12 REAR LOCK BRACE BENT	1

PARTS LIST

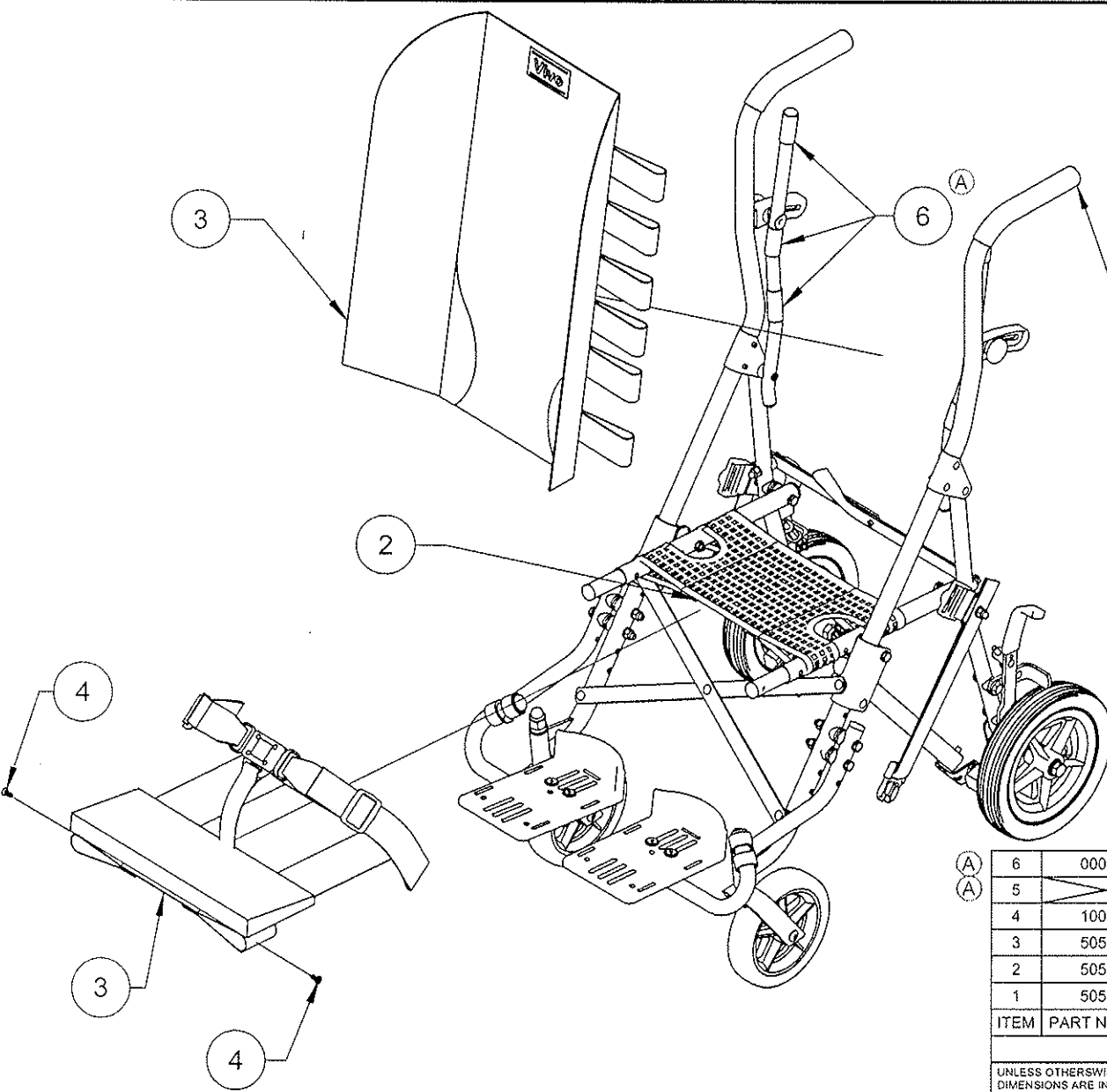
UNLESS OTHERWISE SPECIFIED  
DIMENSIONS ARE IN INCHES  
TOLERANCES ARE:  
DECIMALS  
x ± .06 xx ± .03 .xxx ± .010  
FRACTIONS ± 1/16 ANGLES ± 1

 P.O. Box 4209  
Palos Verdes, CA 90274, USA

TITLE  
VV-12 REAR LOCK BRACE  
ASSY

APPROVAL	DATE	SIZE	DWG NO	REV
DRAWN Turner	5/12/2006			
CHECKED <i>W</i>	7/13/06A		505411	
APPROVED <i>W</i>	10/3/06	SCALE NTS	PRODUCT VV12	SHEET 1 OF 1

NOTES: UNLESS OTHERWISE SPECIFIED.



NOTES: UNLESS OTHERWISE SPECIFIED.

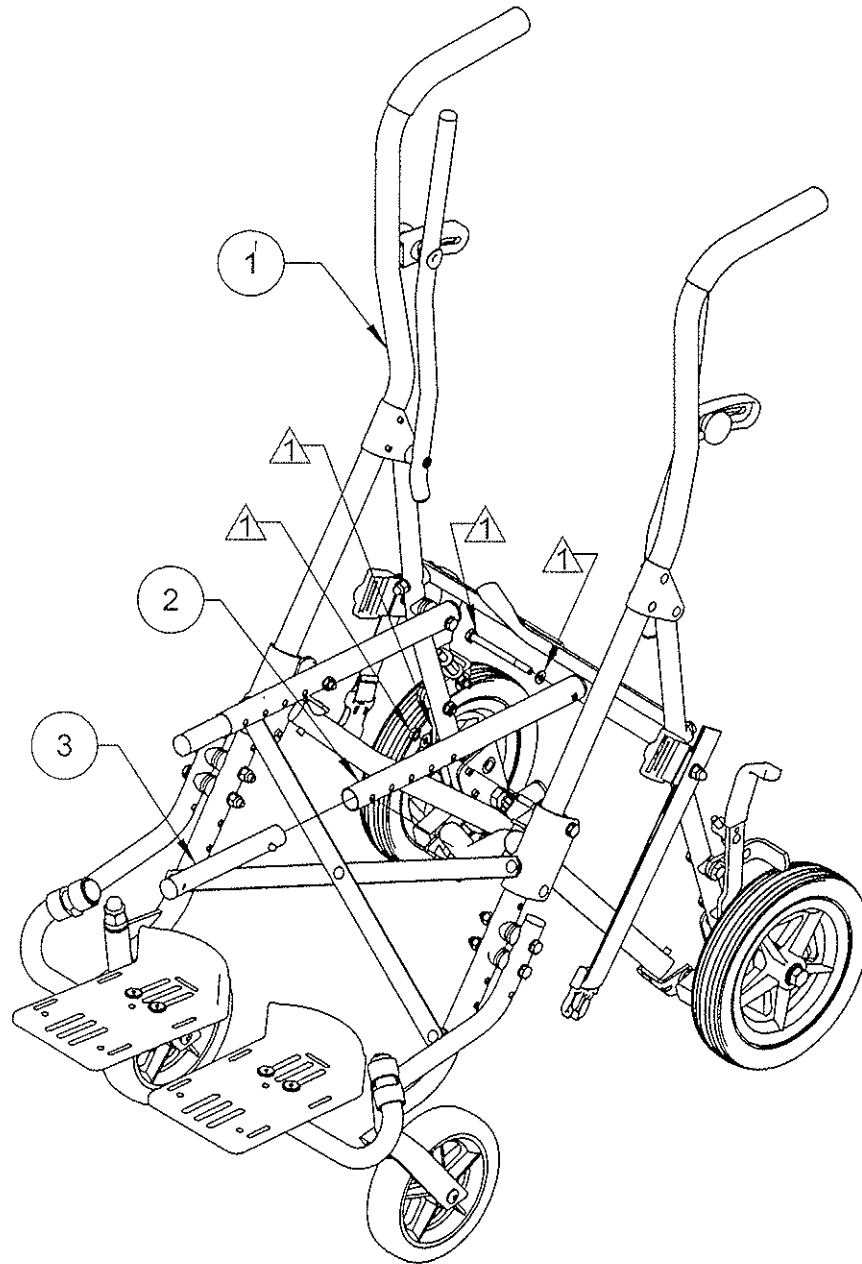
REVISION			
REV	DESCRIPTION	DATE	APPROVED
-	INITIAL RELEASE PER ECO#000929	10/3/06	EN
A	REVISED PER ECO#001002	5/22/08	GA

(A)	6	000383	VELCRO HOOK - ADHESIVE BACKED 2" BLACK	6
(A)	5			
	4	100063	SHEET METAL SCREW #10 X 1/2"	2
	3	505420	VV-12 SEAT ASSY	1
	2	505419	VV-12 SEAT SUPPORT	1
	1	505416	VV-12 FRAME ASSY WITH LONG SEAT	1
ITEM	PART NUMBER	DESCRIPTION		QTY

PARTS LIST

UNLESS OTHERWISE SPECIFIED DIMENSIONS ARE IN INCHES TOLERANCES ARE: DECIMALS x ± .06 xx ± .03 xxx ± .010 FRACTIONS ± 1/16 ANGLES ± 1				P.O. Box 4209 Palos Verdes, CA 90274, USA	
APPROVAL		DATE	TITLE		
DRAWN Turner		7/7/2006	VV-12 FRAME ASSY LONG SEAT WITH FABRIC		
CHECKED BA		9/11/2006	SIZE A	DWG NO 505423	REV A
APPROVED EN		10/3/2006	SCALE NTS	PRODUCT VV-12	SHEET 1 OF 1

REVISION			
REV	DESCRIPTION	DATE	APPROVED
-	INITIAL RELEASE PER ECO#000929	10/3/06	EN
A	UPDATED PER ECO#001002	5/22/08	EN



3	502880	3" SEAT TUBE EXTENSION ALUMINUM ASSEMBLY	2
2	502469	EZ-12 SEAT TUBE	2
1	505414	VV-12 FRAME ASSY	1
ITEM	PART NUMBER	DESCRIPTION	QTY

PARTS LIST

UNLESS OTHERWISE SPECIFIED  
DIMENSIONS ARE IN INCHES  
TOLERANCES ARE:  
DECIMALS

x ± .06 .xx ± .03 .xxx ± .010

FRACTIONS ± 1/16 ANGLES ± 1

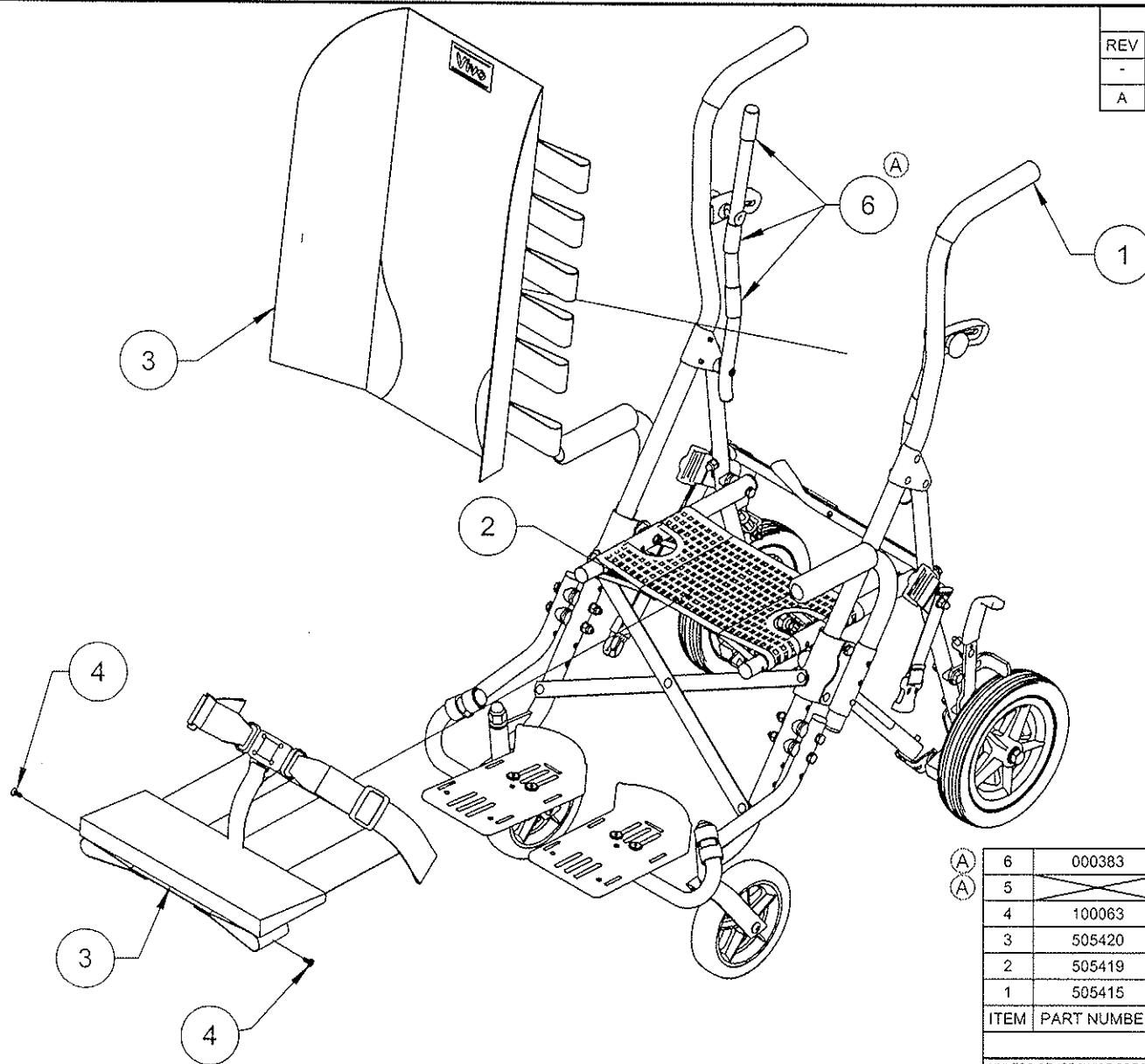
APPROVAL DATE

**Convoid** P.O. Box 4209  
Palos Verdes, CA 90274, USA

TITLE  
**VV-12 FRAME ASSY WITH  
LONG SEAT TUBE**

DRAWN	Turner	7/6/2006	SIZE		DWG NO		REV	
CHECKED	BA	9/11/2006	A		505416		A	
APPROVED	EN	10/9/2006	SCALE	NTS	PRODUCT	VV-12	SHEET	1 OF 1

▲ EXISTING HARDWARE  
NOTES: UNLESS OTHERWISE SPECIFIED.



NOTES: UNLESS OTHERWISE SPECIFIED.

REVISION			
REV	DESCRIPTION	DATE	APPROVED
-	INITIAL RELEASE PER ECO#000929	10/3/06	EN
A	REVISED PER ECO#001002	5/22/09	EN

A	6	000383	VELCRO HOOK - ADHESIVE BACKED 2" BLACK	6
A	5			
	4	100063	SHEET METAL SCREW #10 X 1/2"	2
	3	505420	VV-12 SEAT ASSY	1
	2	505419	VV-12 SEAT SUPPORT	1
	1	505415	VV-12 FRAME ASSY WITH ARMREST	1
ITEM	PART NUMBER	DESCRIPTION		QTY

PARTS LIST

UNLESS OTHERWISE SPECIFIED  
DIMENSIONS ARE IN INCHES  
TOLERANCES ARE:  
DECIMALS

x ± .06 xx ± .03 xxx ± .010  
FRACTIONS ± 1/16 ANGLES ± 1

DRAWN	Turner	7/7/2006	SIZE	DWG NO	REV
CHECKED	BA	9/11/2006	A	505422	A
APPROVED	EN	10/3/2006	SCALE NTS	PRODUCT VV-12	SHEET 1 OF 1

**Convaid** P.O. Box 4209  
Palos Verdes, CA 90274, USA


TITLE  
**VV-12 FRAME ASSY WITH  
ARMREST AND FABRIC**

PARTS LIST			
ITEM	PART NUMBER	DESCRIPTION	QTY
1	505409	VV-12 FRONT FRAME ASSY WITH ARMREST	1
2	505412	VV-12 REAR FRAME ASSY	1
3	505302	VV-12 SEAT TUBE	2
4	505411	VV-12 REAR LOCK BRACE ASSY	1
5	100009	BOLT 1/4"-28 X 3" HEX HEAD	2
6	100089	WASHER 1/4" AN-960-416	6
7	100065	COVERED WASHER - 3/4"	12
8	100478	NYLON WASHER 1/4" X 3/4" X 1/8"	8
9	100025	NYLON WASHER 1/4" X 1/2"	6
10	505332	SEAT BELT ADJUSTMENT ASSY 1-1/2"	2
11	502096	CLOSING STRAP ASSEMBLY	1
12	100172	LOCKNUT 1/4"-28 CAPPED NYLON	4
13	100286	LOCKNUT 1/4"-28 JAM FLEXLOCK BLACK ZINC	2
14	100267	BOLT 1/4"-28 X 1-1/2" HEX HEAD	2
15	100698	PLASTIC KNOB 1/4"-20 X 1.5" MALE STUD	2
16	506306	VV-12 SEAT BACK TUBE ASSY LH	1
17	100394	LOCKNUT 1/4"-20 JAM NYLON INSERT	2
18	100356	RIVET 3/16" X 1-7/8" S/T	2
19	100013	NYLON WASHER 1/4" X 11/16"	4
20	100120	BACK UP WASHER 3/16"	2
21	100049	BOLT 7/16"-20 X 4" HEX HEAD	2
22	100090	WASHER 7/16" AN-960-716	10
23	505406	8" EVA WHEEL ASSY WITH BEARINGS	2
24	100021	LOCKNUT 7/16"-20 NYLON INSERT BLACK ZINC	2
25	505405	6" EVA WHEEL ASSY WITH BEARINGS	2
26	505404	VIVO CASTER ASSY	2
27	503507	SEX BOLT MALE .312-18	2
28	503508	SEX BOLT FEMALE .312-18	2
29	100130	"O" RING BEUNA-NITRIAL	2
30	100405	LOCKNUT 1/2"-20 CAPPED NYLON	2
31	505399	VV-12 SEAT EXTENSION TUBE ASSY	2
32	000167	3M RUBBER & GASKET ADHESIVE	AR
33	500226	HANDLE GRIP 3/4" ID X 7"	2
34	505401	VIVO ARMREST ASSY LH	1
35	505400	VIVO ARMREST ASSY RH	1
36	502808	ADHESIVE LABEL-TEMPLATE	1
37	506307	VV-12 SEAT BACK TUBE ASSY RH	1

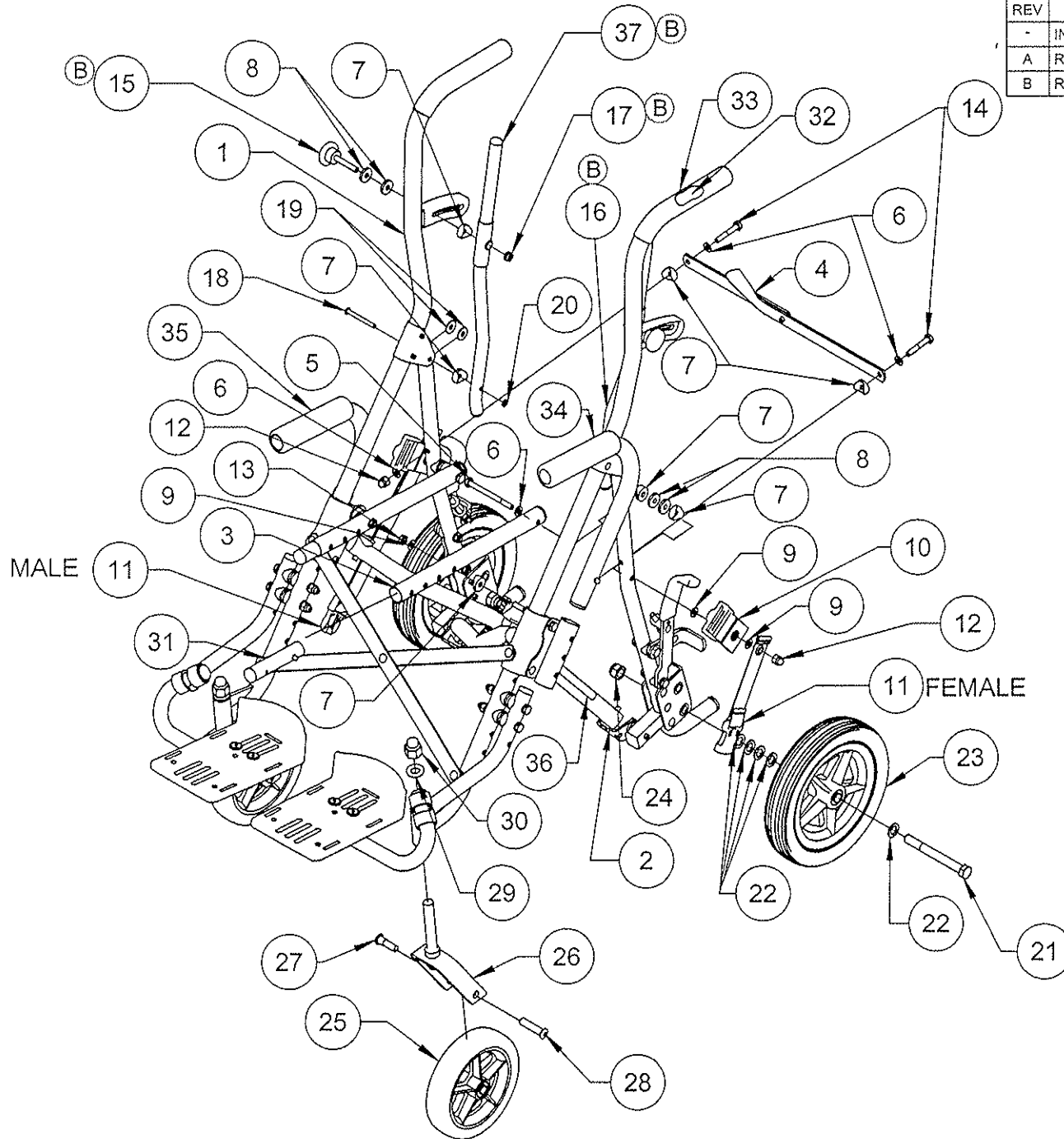
ⓑ

ⓑ

REVISION			
REV	DESCRIPTION	DATE	APPROVED
-	INITIAL RELEASE PER ECO#000929	10/3/06	EN
A	REVISED PER ECO#001002	5/22/08	EN
B	REVISED PER ECO#001024	6/25/08	EN

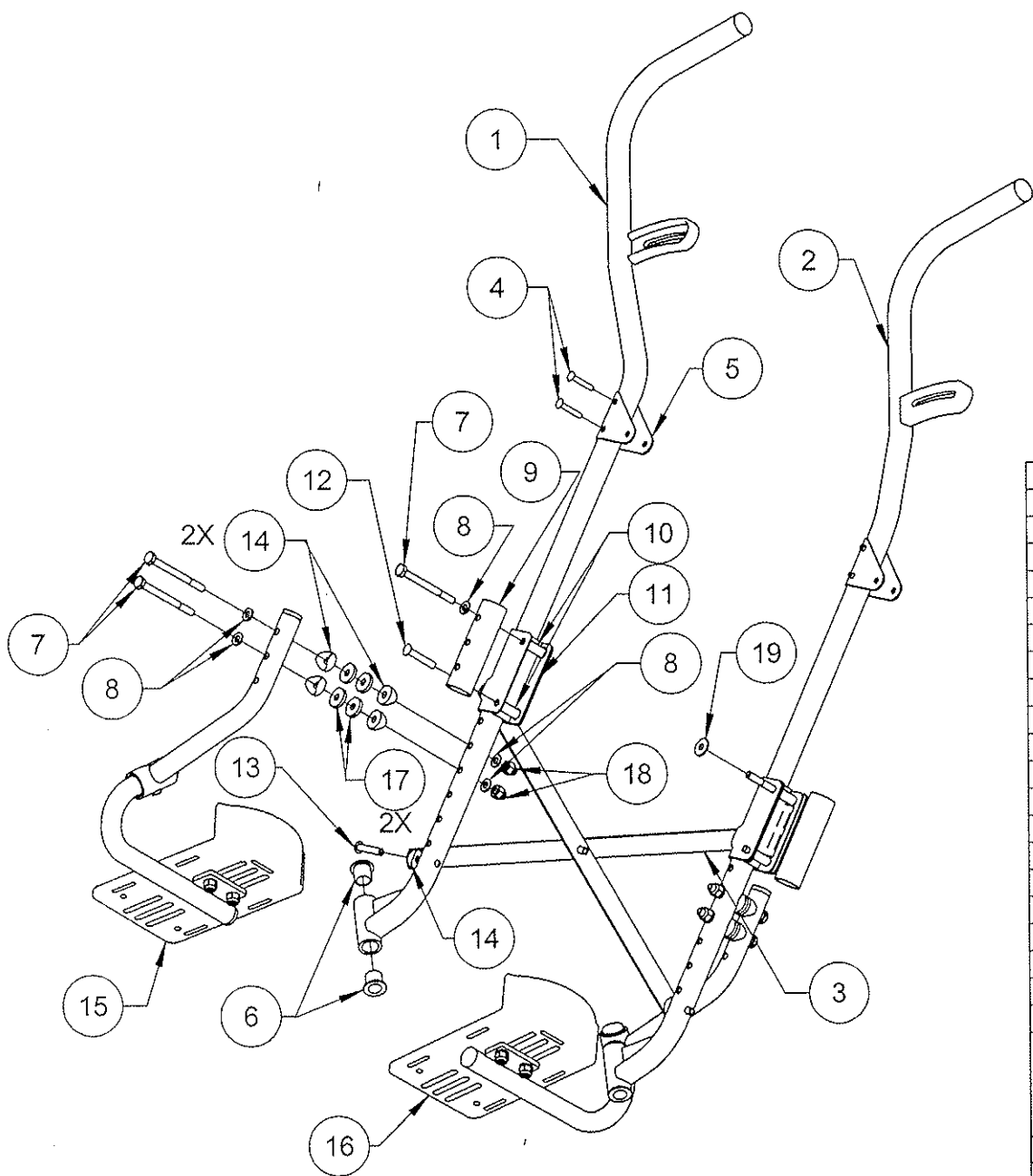
UNLESS OTHERWISE SPECIFIED DIMENSIONS ARE IN INCHES TOLERANCES ARE: DECIMALS .x ± .06 .xx ± .03 .xxx ± .010		 P.O. Box 4209 Palos Verdes, CA 90274, USA	
FRACTIONS ± 1/16 ANGLES ± 1		TITLE <b>VV-12 FRAME ASSY WITH          ARMREST</b>	
APPROVAL	DATE	SIZE	DWG NO
DRAWN Turner	6/30/2006	A	505415
CHECKED BA	9/11/2006		
APPROVED EN	10/3/2006	SCALE NTS	PRODUCT VV-12
			REV B
			SHEET 1 of 2

REVISION			
REV	DESCRIPTION	DATE	APPROVED
-	INITIAL RELEASE PER ECO#000929	10/3/06	EN
A	REVISED PER ECO#001002	5/22/08	EN
B	REVISED PER ECO#001024	6/26/08	WJ



SIZE	DWG NO	REV
A	505415	B
SCALE NTS	PRODUCT	SHEET 2 OF 2
	VV-12	

REVISION			
REV	DESCRIPTION	DATE	APPROVED
-	INITIAL RELEASE PER ECO#000929	10/3/06	EN
A	UPDATED PER ECO#001002	5/22/08	EN



19	100013	NYLON WASHER 1/4" X 11/16"	2
18	100172	LOCKNUT 1/4"-28 CAPPED NYLON	4
17	100478	NYLON WASHER 1/4" X 3/4" X 1/8"	8
16	505408	VV-12 FOOTREST ASSY RH	1
15	505407	VV-12 FOOTREST ASSY LH	1
14	100065	COVED WASHER - 3/4"	10
13	100030	RIVET 1/4" X 1-3/8" S/T STEEL	2
12	100151	RIVET 1/4" X 1-7/16" S/T STEEL	2
11	500231	NYLON SLEEVE-LARGE	2
10	100149	SPACER 1/4" X 1" HEAVY FK	4
9	505278	VIVO ARMREST MOUNT WELDED	2
8	100089	WASHER 1/4" AN-960-416	10
7	100024	BOLT 1/4"-28 X 2-3/4" HEX HEAD	6
6	100523	IGUS BUSHING FLANGE 1/2" ID X 5/8" OD	4
5	500511	PIVOT BRACKET 7/8" - 7/8"	2
4	100031	RIVET 3/16" X 1-1/8" S/T	4
3	505398	VV-12 FRONT X BRACE ASSY	1
2	505275	VV-12 HANDLE TUBE WELDED RH	1
1	505274	VV-12 HANDLE TUBE WELDED LH	1
ITEM	PART NUMBER	DESCRIPTION	QTY

PARTS LIST

UNLESS OTHERWISE SPECIFIED  
DIMENSIONS ARE IN INCHES  
TOLERANCES ARE:  
DECIMALS  
x ± .06 xx ± .03 xxx ± .010

**Convoid** P.O. Box 4209  
Palos Verdes, CA 90274, USA

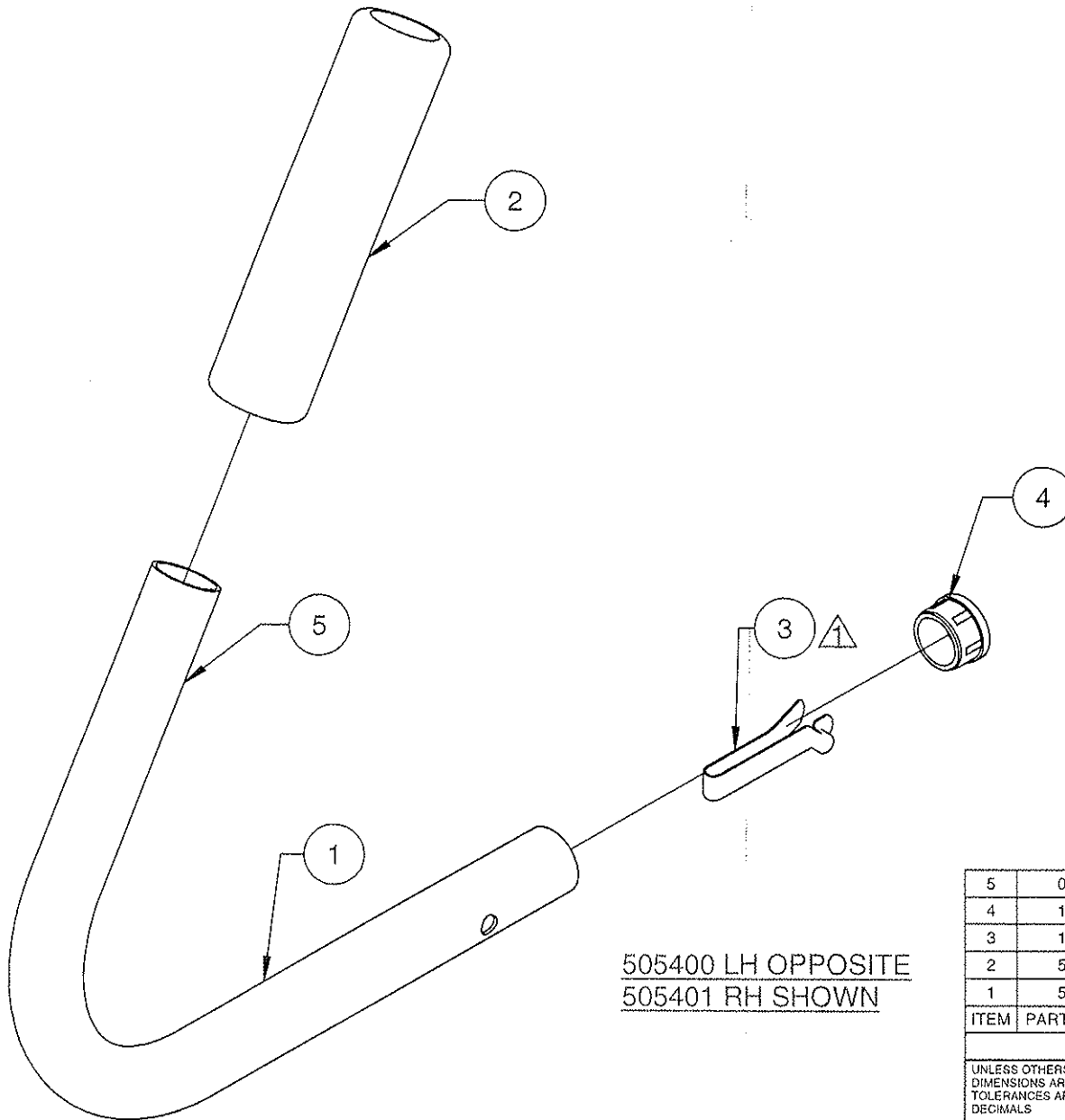
TITLE  
**VV-12 FRONT FRAME ASSY  
W/ARMREST**

APPROVAL	DATE
DRAWN Turner	6/19/2006
CHECKED BA	9/11/2006
APPROVED EN	10/3/2006

SIZE	DWG NO	REV
A	505409	A

NOTES: UNLESS OTHERWISE SPECIFIED.

REVISION			
REV	DESCRIPTION	DATE	APPROVED
-	INITIAL RELEASE PER ECO#000929	10/9/00	aw



505400 LH OPPOSITE  
505401 RH SHOWN

ITEM	PART NUMBER	DESCRIPTION	QTY
5	000167	3M RUBBER AND GASKET ADHESIVE	AR
4	100003	TUBE END 7/8" ROUND	1
3	100647	SNAP BUTTON 1/4"	1
2	505418	VIVO FOAM ARMREST	1
1	505299	VIVO ARMREST TUBE	1

PARTS LIST

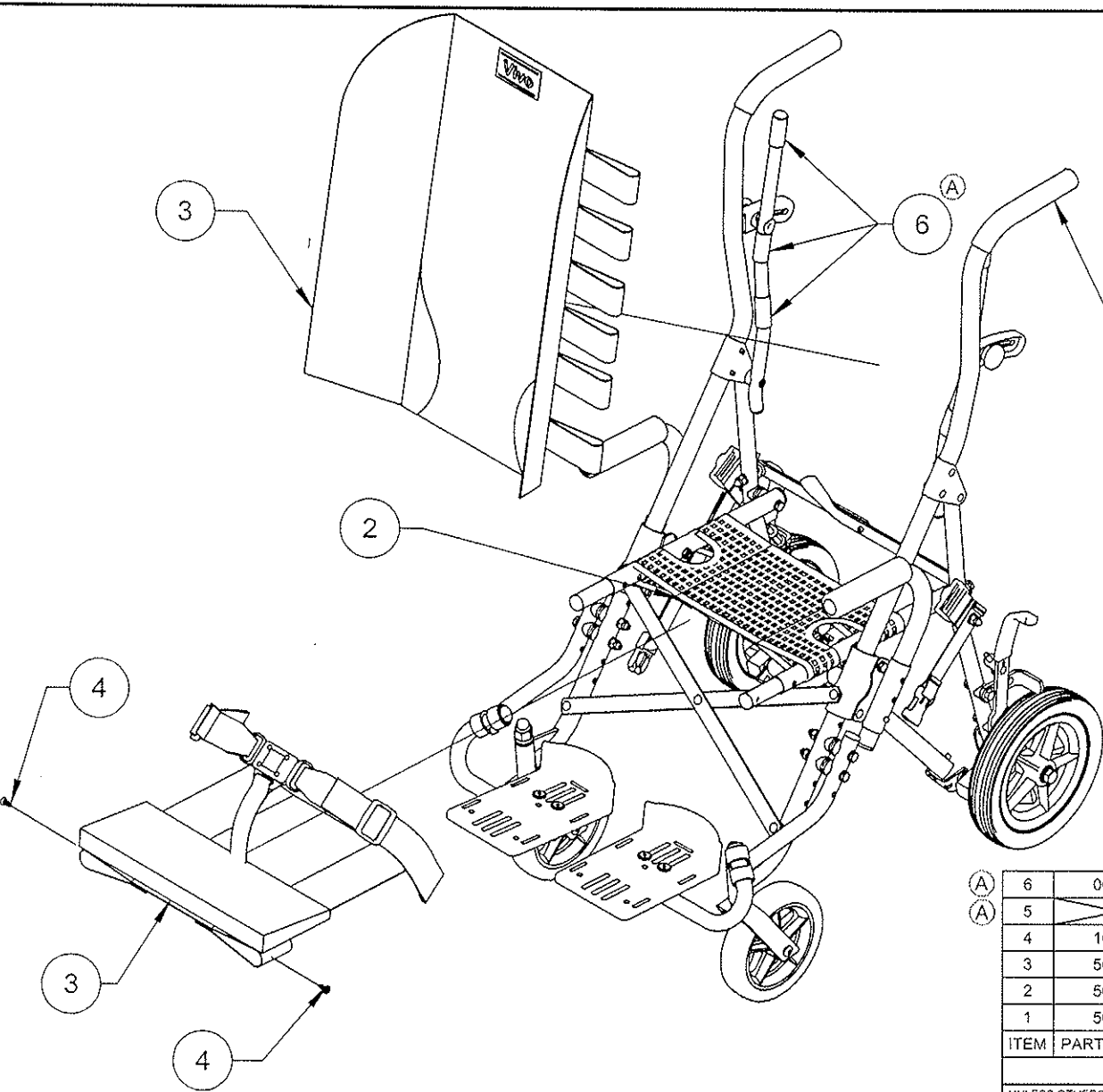
UNLESS OTHERWISE SPECIFIED  
DIMENSIONS ARE IN INCHES  
TOLERANCES ARE:  
DECIMALS  
x ± .06 xx ± .03 xxx ± .010  
FRACTIONS ± 1/16 ANGLES ± 1

**Convoid** P.O. Box 4209  
Palos Verdes, CA 90274, USA

TITLE  
**VIVO ARMREST TUBE ASSY**

APPROVAL	DATE	SIZE	DWG NO	REV
DRAWN Turner	10/21/00		505400/1	-
CHECKED <i>aw</i>	10/9/00	SCALE NTS	PRODUCT VIVO-12	SHEET 1 OF 1

▲ INSERT SNAP BUTTON INTO ARMREST TUBE UNTIL IT LOCKS INTO .257 DIAMETER HOLE, AS SHOWN  
NOTES: UNLESS OTHERWISE SPECIFIED.



REVISION			
REV	DESCRIPTION	DATE	APPROVED
-	INITIAL RELEASE PER ECO#000929	10/9/06	EN
A	REVISED PER ECO#001002	5/22/07	W

(A)	6	000383	VELCRO HOOK - ADHESIVE BACKED 2" BLACK	6
(A)	5			
	4	100063	SHEET METAL SCREW #10 X 1/2"	2
	3	505420	VV-12 SEAT ASSY	1
	2	505419	VV-12 SEAT SUPPORT	1
	1	505417	VV-12 FRAME ASSY ARMREST WITH LONG SEAT	1
ITEM	PART NUMBER	DESCRIPTION		QTY

PARTS LIST

UNLESS OTHERWISE SPECIFIED  
 DIMENSIONS ARE IN INCHES  
 TOLERANCES ARE:  
 DECIMALS  
 x ± .06 xx ± .03 xxx ± .010  
 FRACTIONS ± 1/16 ANGLES ± 1

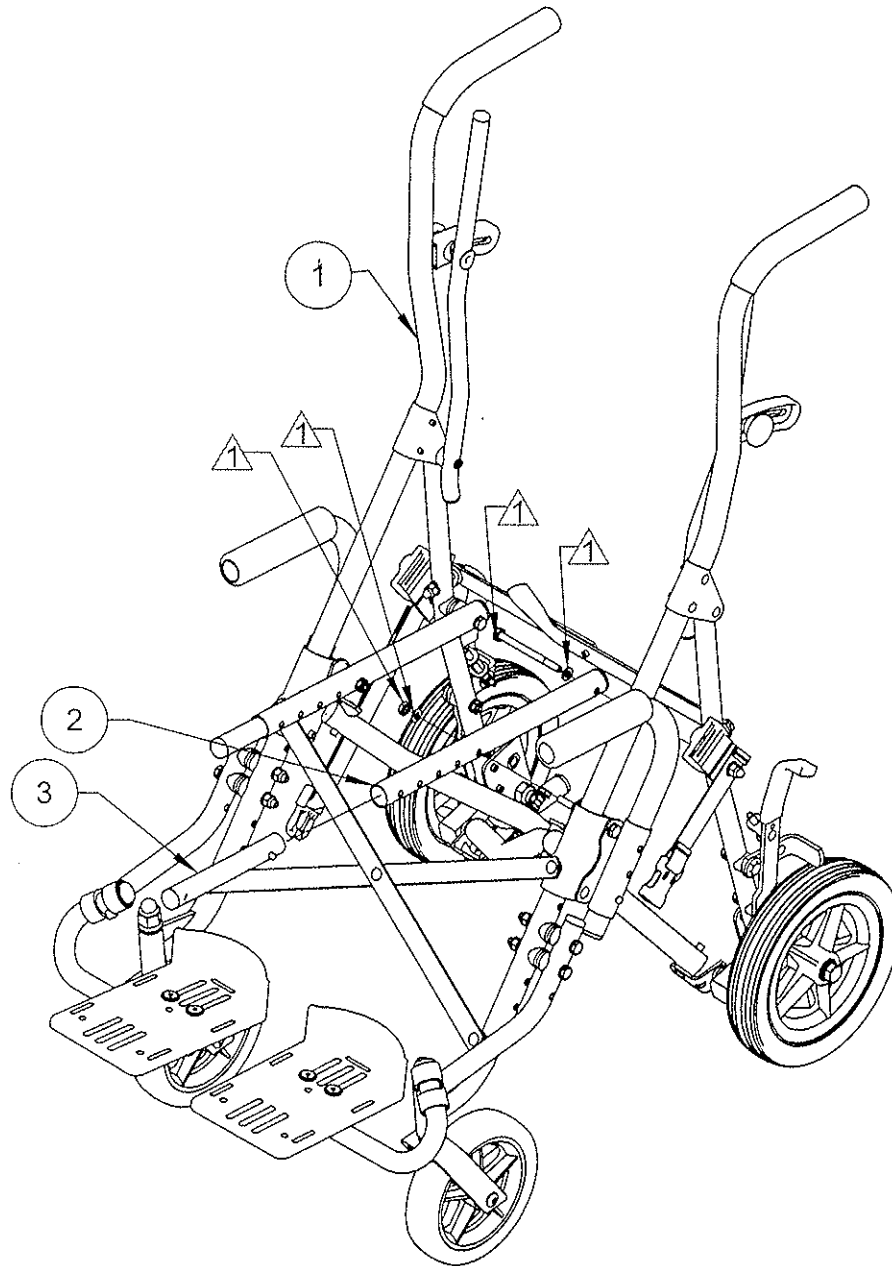
**Convoid** P.O. Box 4209  
 Palos Verdes, CA 90274, USA

TITLE  
**VV-12 FRAME ASSY ARMREST  
 LONG SEAT WITH FABRIC**

DRAWN	Turner	7/7/2006	SIZE		DWG NO		REV	
CHECKED	BA	9/28/2006	A		505424		A	
APPROVED	EN	10/9/2006	SCALE	NTS	PRODUCT	VIVO-12	SHEET	1 OF 1

NOTES: UNLESS OTHERWISE SPECIFIED.

REVIVION			
REV	DESCRIPTION	DATE	APPROVED
-	INITIAL RELEASE PER ECO#000929	10/3/06	EN
A	UPDATED PER ECO#001002	5/22/08	W



3	502880	3" SEAT TUBE EXTENSION ALUMINUM ASSEMBLY	2
2	502469	EZ-12 SEAT TUBE	2
1	505415	VV-12 FRAME ASSY WITH ARMREST	1
ITEM	PART NUMBER	DESCRIPTION	QTY

PARTS LIST

UNLESS OTHERWISE SPECIFIED  
DIMENSIONS ARE IN INCHES  
TOLERANCES ARE:  
DECIMALS

x ± .06 xx ± .03 xxx ± .010

FRACTIONS ± 1/16 ANGLES ± 1

APPROVAL DATE

DRAWN Turner 7/8/2006

CHECKED BA 8/31/2006

APPROVED EN 10/3/2006

**Convoid** P.O. Box 4209  
Palos Verdes, CA 90274, USA

TITLE  
**VV-12 FRAME ASSY ARMREST  
WITH LONG SEAT**

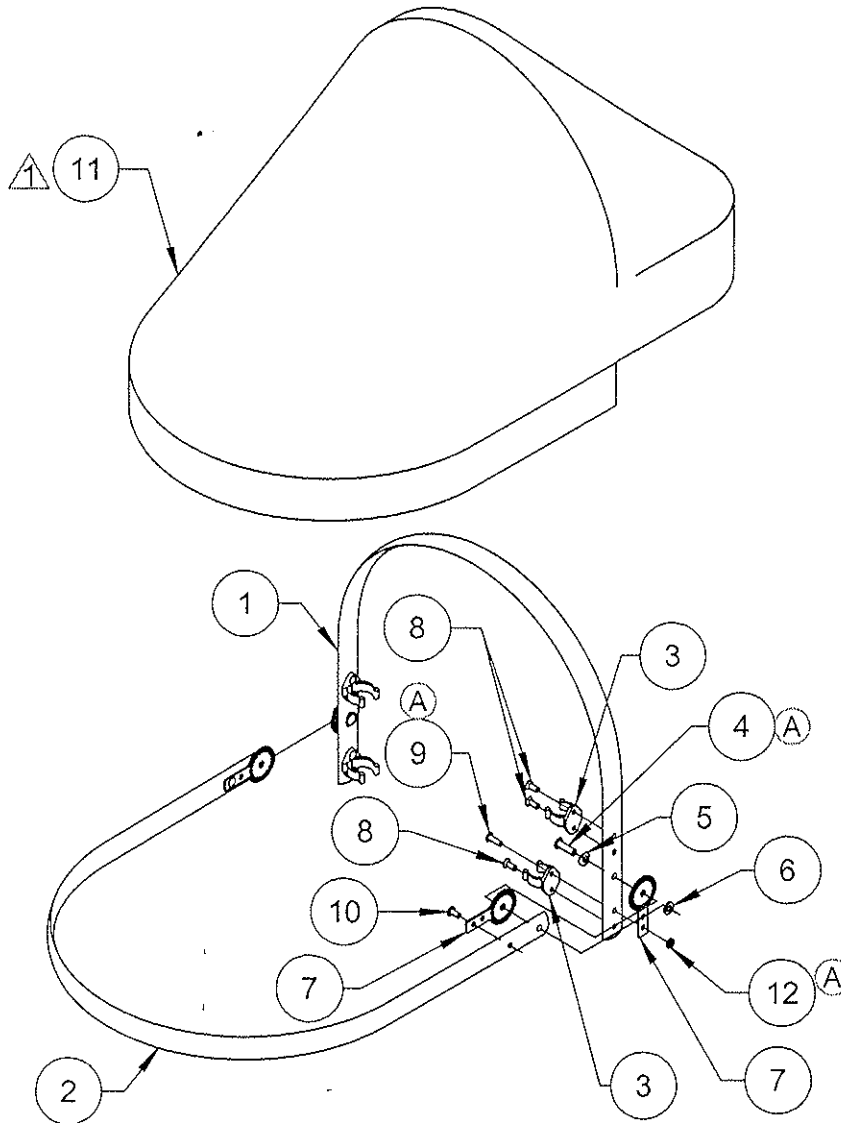
SIZE A DWG NO 505417 REV A

SCALE NTS PRODUCT VV-12 SHEET 1 of 1

△ EXISTING PARTS

NOTES: UNLESS OTHERWISE SPECIFIED.

REVISION			
REV	DESCRIPTION	DATE	APPROVED
-	INITIAL RELEASE PER ECO#000940	12/6/06	EN
A	REVISED PER ECO#001012	1/18/08	EN



(A)	12	100120	BACK UP WASHER 3/16"	2
	11	505486	VIVO 12 CANOPY FABRIC	1
	10	100193	RIVET 3/16" X 7/16" S/T STEEL	2
(A)	9	100109	RIVET 3/16" X 5/8" S/T	2
	8	100390	RIVET 1/4" X 1/2" S/T C/S HEAD	6
	7	501594	PIVOT LOCK PLATE	4
	6	100089	WASHER 1/4" AN-960-416	2
	5	100058	BELLVILLE WASHER 1/4" X 9/16"	2
(A)	4	100226	RIVET 1/4" X 7/8" S/T STEEL	2
	3	100653	SPRING-ACTION TOOL HOLDER BLACK THERMO PLASTIC 7/8" TO 1-1/8"	4
	2	505436	VV-12 FRONT CANOPY BRACE	1
	1	505435	VIVO 12 CANOPY MAIN SUPPORT	1
ITEM	PART NUMBER	DESCRIPTION		QTY

PARTS LIST

UNLESS OTHERWISE SPECIFIED  
DIMENSIONS ARE IN INCHES  
TOLERANCES ARE:  
DECIMALS

x ± .06 xx ± .03 xxx ± .010

FRACTIONS ± 1/16 ANGLES ± 1

APPROVAL DATE

**Convoid** P.O. Box 4209  
Palos Verdes, CA 90274, USA

TITLE  
**VIVO 12 CANOPY ASSY**

DRAWN Turner 9/12/2006

CHECKED BA 10/16/2006

APPROVED EN 12/6/2006

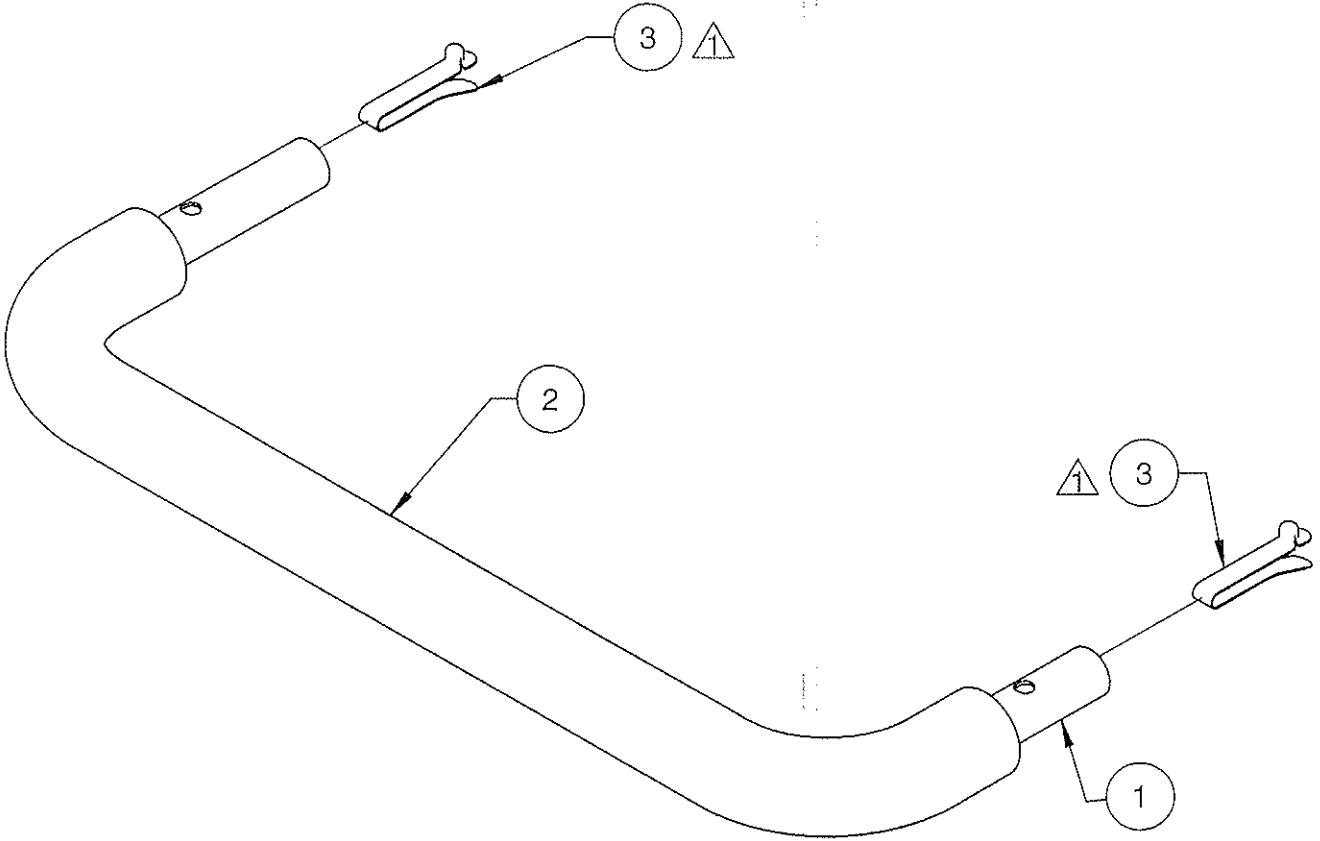
SIZE DWG NO

A 505487


SCALE NTS PRODUCT VIVO 12 SHEET 1 OF 1


⚠ INSERT CANOPY MAIN SUPPORT & FRONT CANOPY BRACE  
ON TO CANOPY FABRIC PRIOR TO RIVETING ASSEMBLY.  
NOTES: UNLESS OTHERWISE SPECIFIED.

REVISION			
REV	DESCRIPTION	DATE	APPROVED
-	INITIAL RELEASE PER ECO#000940	12/6/00	<i>[Signature]</i>

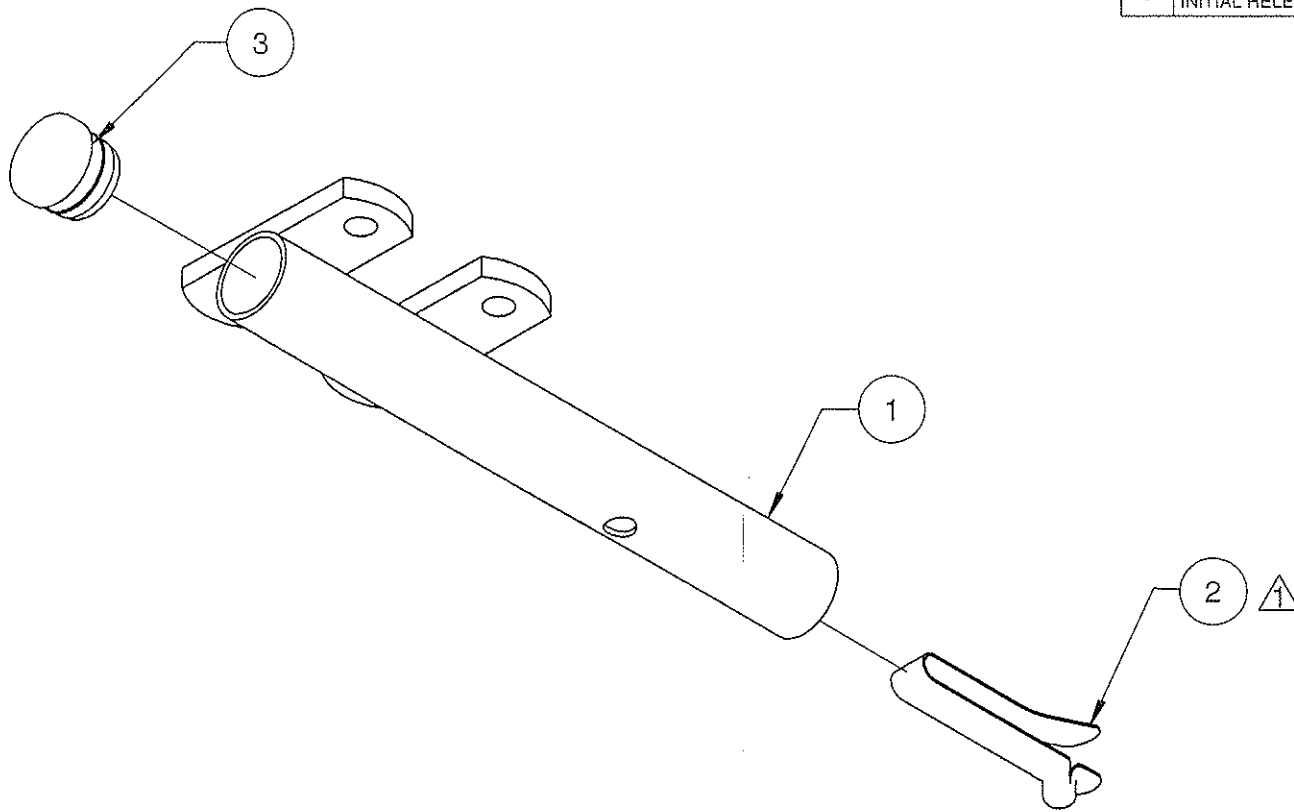


ITEM	PART NUMBER	DESCRIPTION	QTY
3	100647	SNAP BUTTON 1/4"	2
2	000203	STOCK FOAM TUBING 3/4" ID X 20" LONG	1
1	505349	VV-12 GRAB BAR	1

PARTS LIST			
UNLESS OTHERWISE SPECIFIED DIMENSIONS ARE IN INCHES TOLERANCES ARE: DECIMALS x ± .06 xx ± .03 xxx ± .010		 P.O. Box 4209 Palos Verdes, CA 90274, USA	
FRACTIONS ± 1/16 ANGLES ± 1		TITLE <b>VIVO 12 GRAB BAR ASSY</b>	
APPROVAL	DATE	SIZE	DWG NO
DRAWN <i>Turner</i>	9/12/00		<b>505488</b>
CHECKED <i>BA</i>	11/1/00		
APPROVED <i>[Signature]</i>	12/6/00	SCALE NTS	PRODUCT VIVO 12

 INSERT SNAP BUTTON INTO GRAB BAR TUBE UNTIL IT LOCKS INTO .257 DIAMETER HOLE, AS SHOWN  
 NOTES: UNLESS OTHERWISE SPECIFIED.

REVISION			
REV	DESCRIPTION	DATE	APPROVED
-	INITIAL RELEASE PER ECO#000940	12/6/00	CA



3	100054	TUBE END 3/4" ROUND, .049 WALL	1
2	100647	SNAP BUTTON 1/4"	1
1	505353	VIVO TRAY TUBE WELDED LONG	1
ITEM	PART NUMBER	DESCRIPTION	QTY

PARTS LIST

UNLESS OTHERWISE SPECIFIED  
DIMENSIONS ARE IN INCHES  
TOLERANCES ARE:  
DECIMALS

x ± .06 xx ± .03 xxx ± .010  
FRACTIONS ± 1/16 ANGLES ± 1

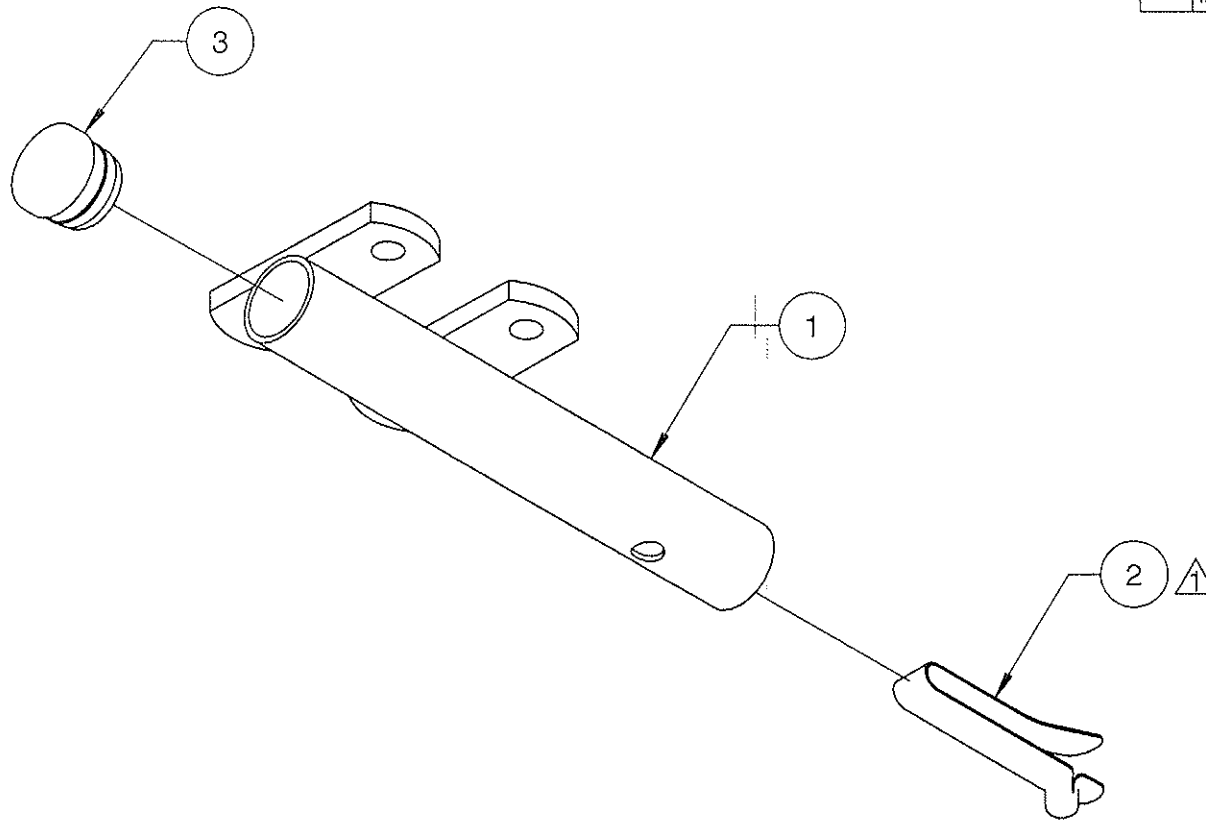
**Convaid** P.O. Box 4209  
Palos Verdes, CA 90274, USA

TITLE  
**VIVO 12 TRAY TUBE ASSY  
LONG**

APPROVAL	DATE	SIZE	DWG NO	REV
Turner	9/12/2006	A	505489	-
CHECKED	12/6/00			
APPROVED	12/6/00	SCALE NTS	PRODUCT VIVO 12	SHEET 1 OF 1

⚠ INSERT SNAP BUTTON INTO TRAY TUBE UNTIL IT LOCKS INTO .257 DIAMETER HOLE, AS SHOWN  
NOTES: UNLESS OTHERWISE SPECIFIED.

REVISION			
REV	DESCRIPTION	DATE	APPROVED
-	INITIAL RELEASE PER ECO#000940	12/6/06	W



ITEM	PART NUMBER	DESCRIPTION	QTY
3	100054	TUBE END 3/4" ROUND, .049 WALL	1
2	100647	SNAP BUTTON 1/4"	1
1	505355	VIVO TRAY TUBE WELDED SHORT	1

PARTS LIST

UNLESS OTHERWISE SPECIFIED  
DIMENSIONS ARE IN INCHES  
TOLERANCES ARE:  
DECIMALS  
x ± .06 .xx ± .03 .xxx ± .010  
FRACTIONS ± 1/16 ANGLES ± 1

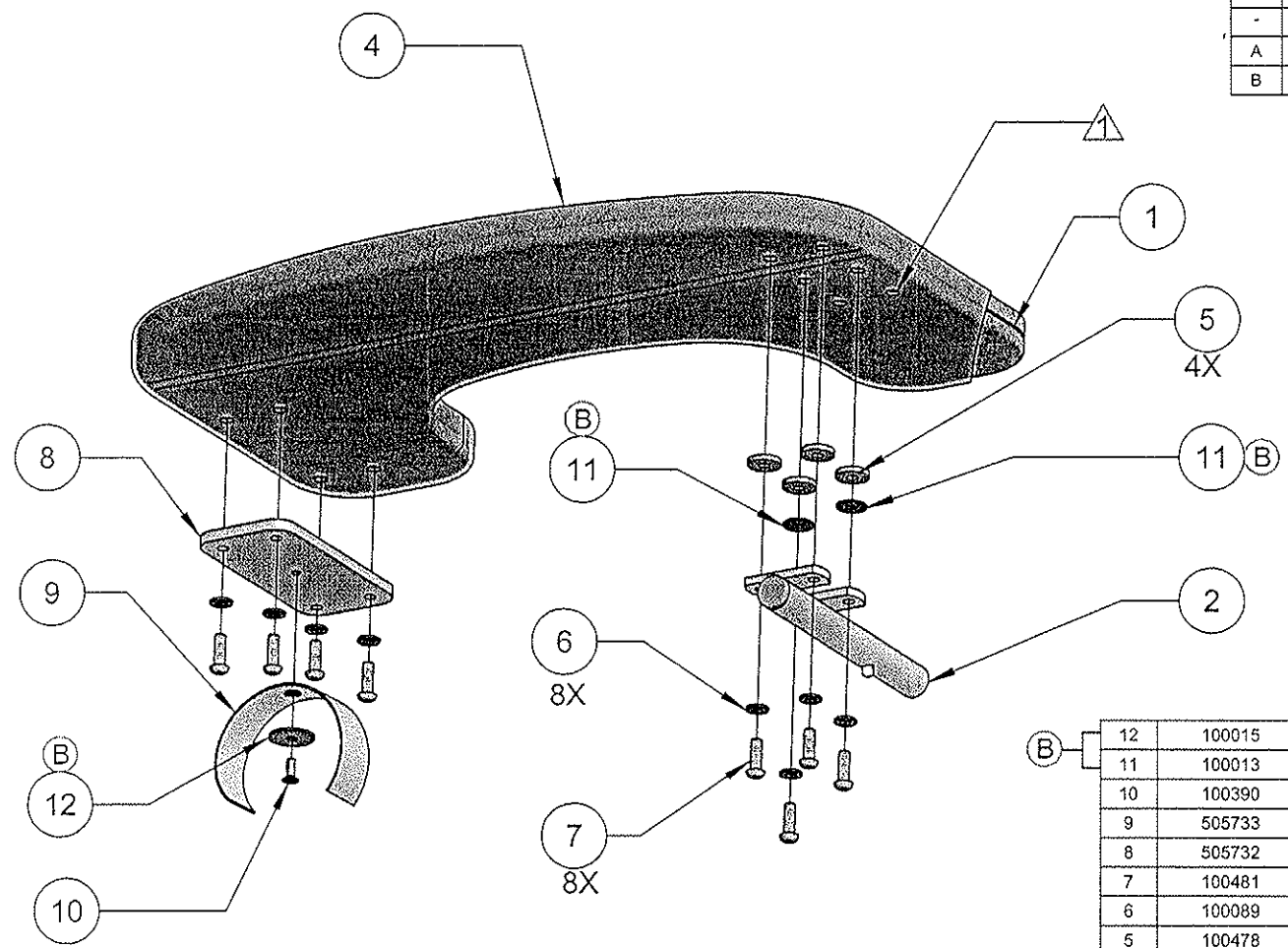
**Convoid** P.O. Box 4209  
Palos Verdes, CA 90274, USA

TITLE  
**VIVO 12 TRAY TUBE ASSY  
SHORT**

APPROVAL	DATE	SIZE	DWG NO	REV
Turner	07/22/09	A	505490	-
CHECKED	W	12/6/06		
APPROVED	W	12/6/06	SCALE NTS	PRODUCT VIVO 12

⚠ INSERT SNAP BUTTON INTO TRAY TUBE UNTIL IT LOCKS INTO .257 DIAMETER HOLE, AS SHOWN  
NOTES: UNLESS OTHERWISE SPECIFIED.

REVISION			
REV	DESCRIPTION	DATE	APPROVED
-	INITIAL RELEASE PER ECO#000940	12/6/06	EN
A	REVISED PER ECO#000981	9-27-07	EN
B	REVISED PER ECO#001035	6/12/08	EN



12	100015	FENDER WASHER 1/4" X 1"	1
11	100013	NYLON WASHER 1/4" X 11/16"	2
10	100390	RIVET 3/16" X 1/2" S/T C/S HEAD	1
9	505733	VIVO TRAY STRAP	1
8	505732	VIVO TRAY SPACER PLATE	1
7	100481	BOLT 1/4"-20 X 3/4" SOCKET BUTTON HEAD	8
6	100089	WASHER 1/4" AN-960-416	8
5	100478	NYLON WASHER 1/4" X 3/4" X 1/8"	4
4	505492	VV-12 TRAY COVER	1
3			
2	505489	VIVO 12 TRAY TUBE ASSY LONG	1
1	505491	VIVO 12 TRAY FOAM ASSY	1
ITEM	PART NUMBER	DESCRIPTION	QTY

⚠ AFTER ASSEMBLING ITEM 1 (FOAM ASSY) & ITEM 4 (COVER) BURN HOLES IN COVER TO ENABLE ACCESS TO T-NUTS (10 PLCS).  
 NOTES: UNLESS OTHERWISE SPECIFIED.

UNLESS OTHERWISE SPECIFIED  
 DIMENSIONS ARE IN INCHES  
 TOLERANCES ARE:  
 DECIMALS  
 .x ± .06 .xx ± .03 .xxx ± .010  
 FRACTIONS ± 1/16 ANGLES ± 1

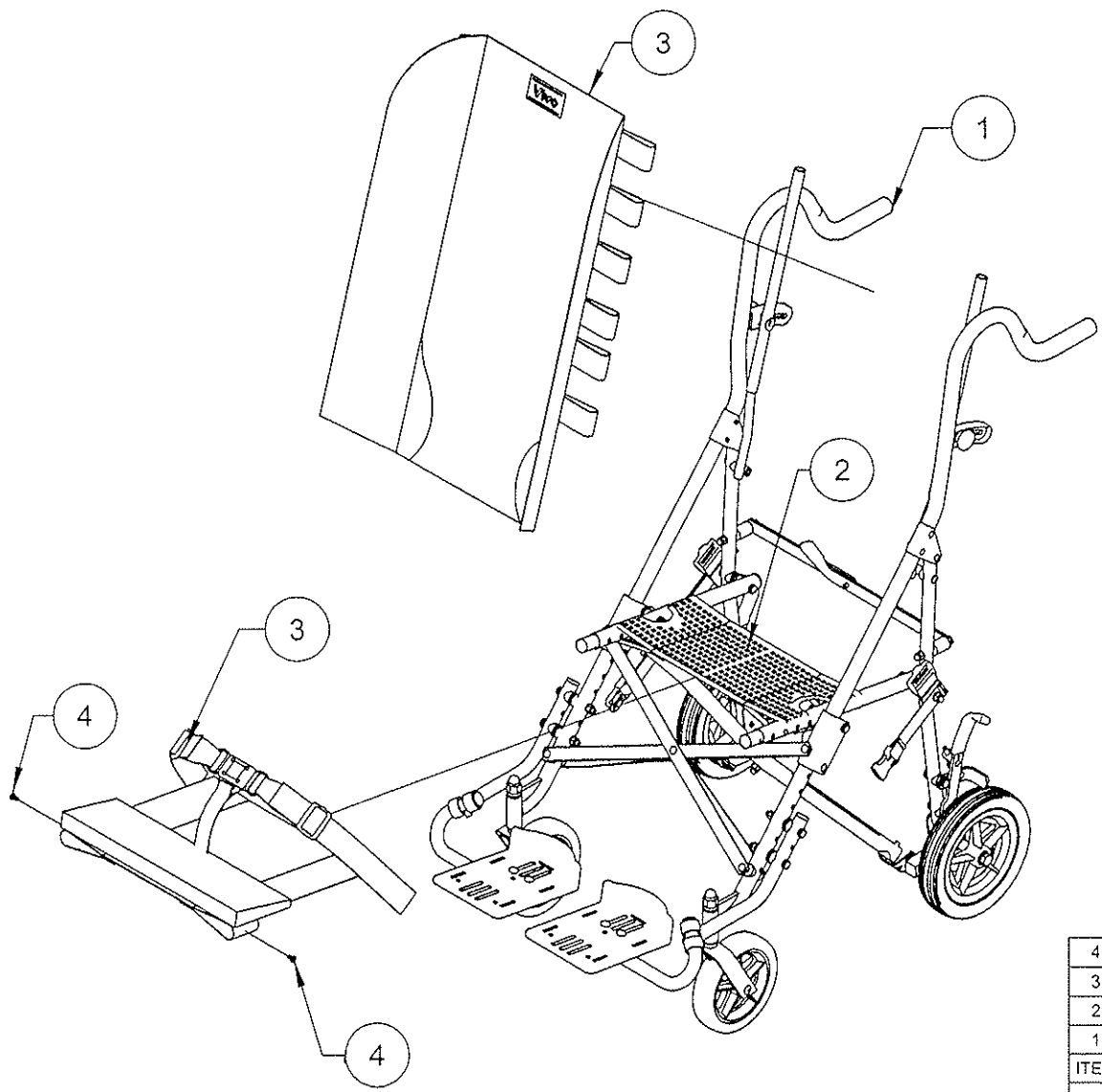
**Convaid** P.O. Box 4209  
 Palos Verdes, CA 90274, USA

TITLE  
**VIVO 12 TRAY ASSY**

APPROVAL	DATE	SIZE	DWG NO	REV
DRAWN Turner	9/13/2006	A	505493	B
CHECKED BA	12/6/2006			
APPROVED EN	12/6/2006	SCALE NTS	PRODUCT VIVO 12	SHEET 1 of 1

**WV-14**

REVISION			
REV	DESCRIPTION	DATE	APPROVED
-	INITIAL RELEASE PER ECO#000961	7/16/07	aw



ITEM	PART NUMBER	DESCRIPTION	QTY
4	100063	SHEET METAL SCREW #10 X 1/2"	2
3	505594	VV-14 SEAT ASSY	1
2	505593	VV-14 SEAT SUPPORT	1
1	505562	VV-14 FRAME ASSY	1

PARTS LIST

UNLESS OTHERWISE SPECIFIED  
DIMENSIONS ARE IN INCHES  
TOLERANCES ARE:  
DECIMALS  
.x ± .06 .xx ± .03 .xxx ± .010  
FRACTIONS ± 1/16 ANGLES ± 1

**Convoid** P.O. Box 4209  
Palos Verdes, CA 90274, USA

TITLE  
**VV-14 FRAME ASSY WITH FABRIC**

APPROVAL	DATE	SIZE	DWG NO	REV
	2/22/2007		505568	-
DRAWN	TUPPER	SCALE NTS	PRODUCT VV-14	SHEET 1 OF 1
CHECKED	BAK 7/16/07			
APPROVED	W 7/16/07			

NOTES: UNLESS OTHERWISE SPECIFIED.

PARTS LIST			
ITEM	PART NUMBER	DESCRIPTION	QTY
1	505564	VV-14 FRONT FRAME ASSY	1
2	505561	VV-14 REAR FRAME ASSY	1
3	505528	VV-14 SEAT TUBE	2
4	505560	VV-14 REAR LOCK BRACE ASSY	1
5	100009	BOLT 1/4"-28 X 3" HEX HEAD	2
6	100089	WASHER 1/4" AN-960-416	6
7	100065	COVERED WASHER - 3/4"	12
8	100478	NYLON WASHER 1/4" X 3/4" X 1/8"	8
9	100025	NYLON WASHER 1/4" X 1/2"	12
10	505332	SEAT BELT ADJUSTMENT ASSY 1-1/2"	2
11	502096	CLOSING STRAP ASSEMBLY	1
12	100172	LOCKNUT 1/4"-28 CAPPED NYLON	4
13	100286	LOCKNUT 1/4"-28 JAM FLEXLOCK BLACK ZINC	2
14	100024	BOLT 1/4"-28 X 2-3/4" HEX HEAD	2
15	100698	PLASTIC KNOB 1/4"-20 X 1.5" MALE STUD	2
16	506167	VV-14 UPPER SEAT BACK TUBE ASSY	2
17	100394	LOCKNUT 1/4"-20 JAM NYLON INSERT	2
18	505520	VV-14 LOWER SEAT BACK TUBE WELDED RH	1
19	505519	VV-14 LOWER SEAT BACK TUBE WELDED LH	1
20	100632	BOLT 1/4"-20 X 1-1/2" SOCKET BUTTON HEAD	2
21	100013	NYLON WASHER 1/4" X 11/16"	4
22	100049	BOLT 7/16"-20 X 4" HEX HEAD	2
23	100090	WASHER 7/16" AN-960-716	10
24	505406	8" EVA WHEEL ASSY WITH BEARINGS	2
25	100021	LOCKNUT 7/16"-20 NYLON INSERT BLACK ZINC	2
26	505404	VIVO CASTER ASSY	2
27	505405	6" EVA WHEEL ASSY WITH BEARINGS	2
28	503508	SEX BOLT FEMALE .312-18	2
29	503507	SEX BOLT MALE .312-18	2
30	100130	"O" RING BEUNA-NITRIAL	2
31	100405	LOCKNUT 1/2"-20 CAPPED NYLON	2
32	505399	VV-12 SEAT EXTENSION TUBE ASSY	2
33	505543	VV-14 REAR LOCK SPACER	2
34	502808	ADHESIVE LABEL-TEMPLATE	1
35	000167	3M RUBBER & GASKET ADHESIVE	AR
36	500226	HANDLE GRIP 3/4" ID X 7"	2
37	100031	RIVET 3/16" X 1-1/8" S/T	2

(A)

(A)

REVISION			
REV	DESCRIPTION	DATE	APPROVED
-	INITIAL RELEASE PER ECO#000961	7/12/07	EN
A	REVISED PER ECO#001024	7/21/07	EN

UNLESS OTHERWISE SPECIFIED  
DIMENSIONS ARE IN INCHES  
TOLERANCES ARE:  
DECIMALS  
x ± .06 xx ± .03 xxx ± .010

**Convoid** P.O. Box 4209  
Paños Verdes, CA 90274, USA

FRACTIONS ± 1/16 ANGLES ± 1

TITLE  
**VV-14 FRAME ASSY**

APPROVAL	DATE
----------	------

SIZE	DWG NO	REV
------	--------	-----

DRAWN	Turner	2/9/2007
-------	--------	----------

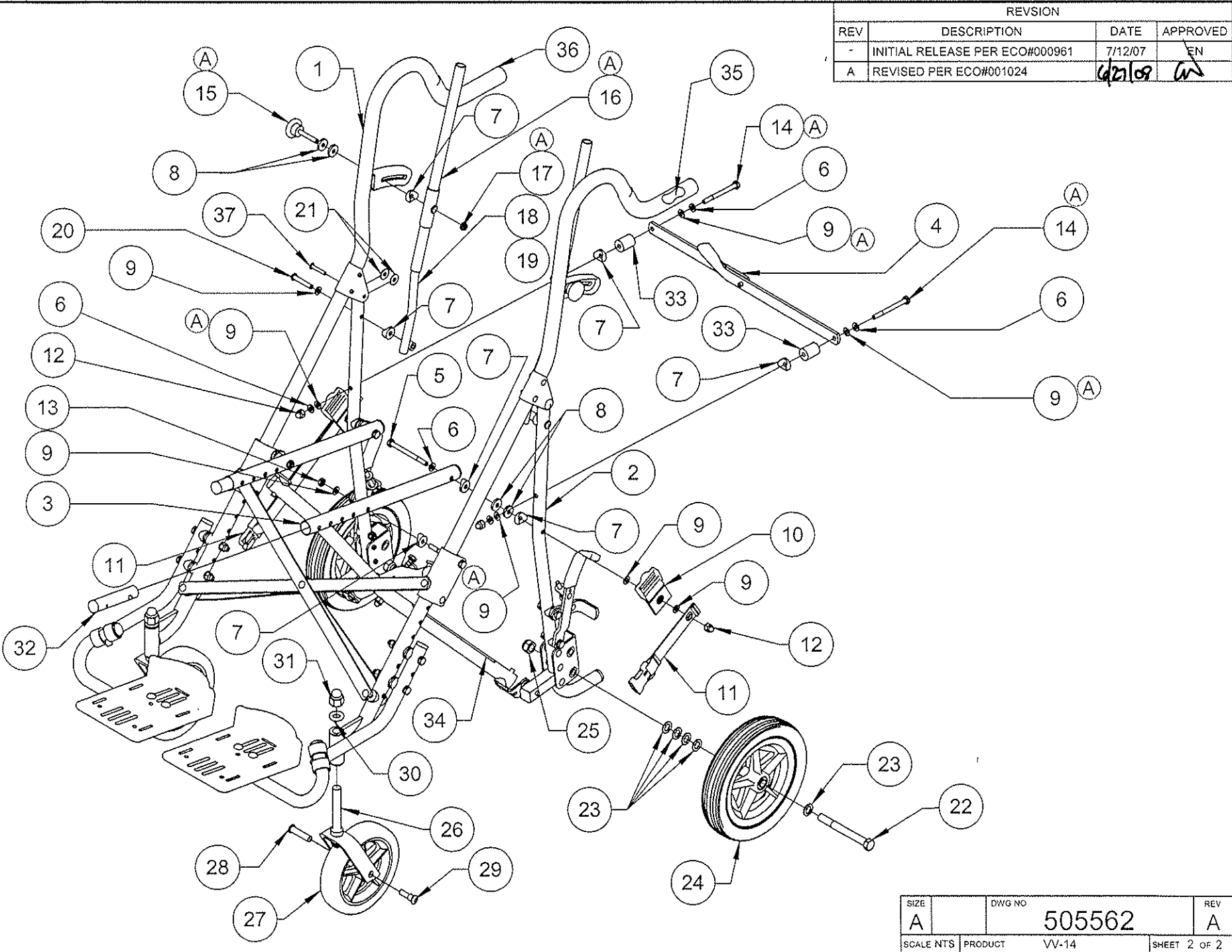
A	505562	A
---	--------	---

CHECKED	BA	4/30/2007
---------	----	-----------

APPROVED	EN	7/12/2007
----------	----	-----------

SCALE NTS	PRODUCT VV-14	SHEET 1 OF 2
-----------	---------------	--------------

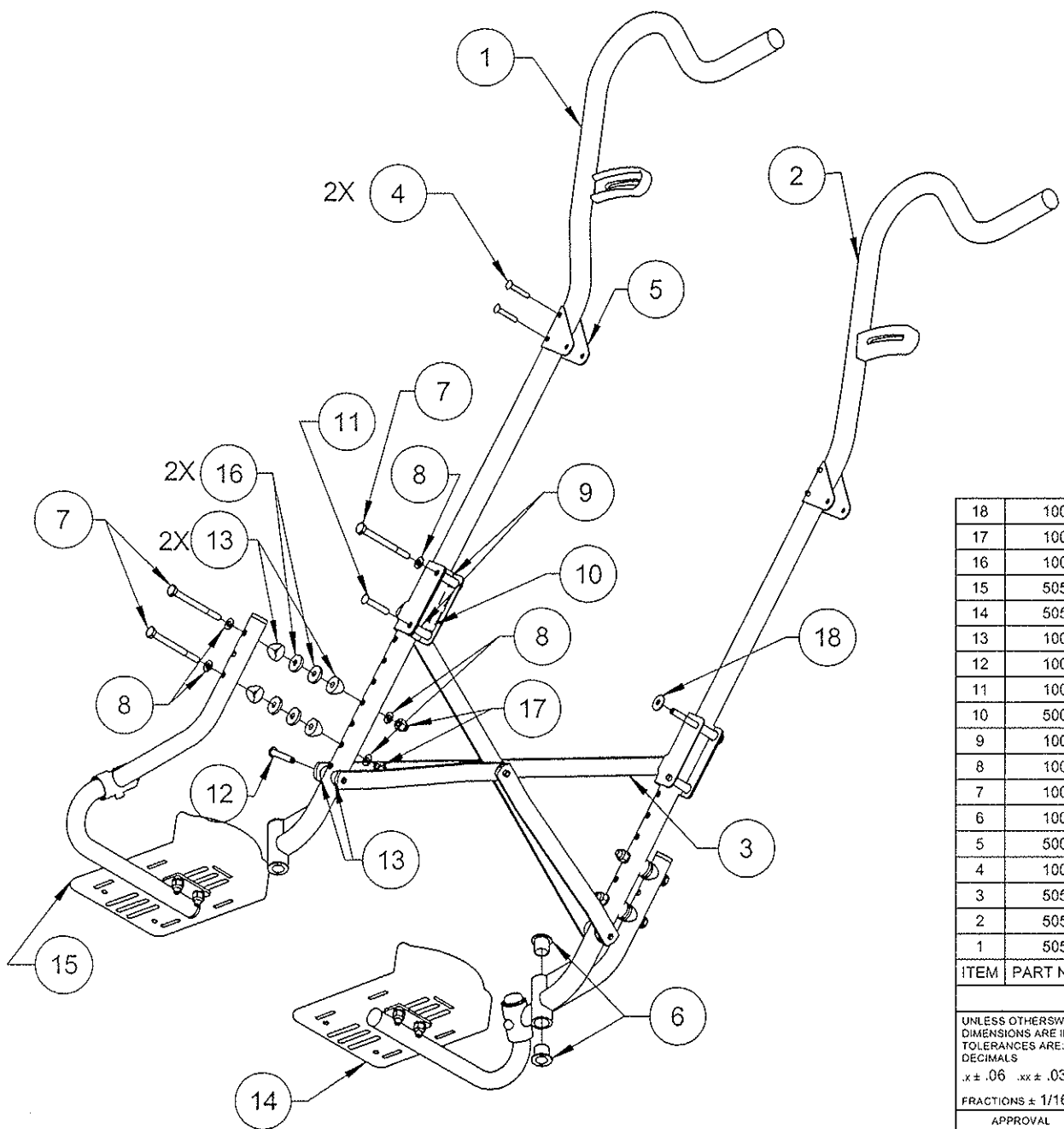
NOTES: UNLESS OTHERWISE SPECIFIED.



REVISION			
REV	DESCRIPTION	DATE	APPROVED
-	INITIAL RELEASE PER ECO#000961	7/12/07	EN
A	REVISED PER ECO#001024	6/21/09	EN

SIZE A	DWG NO 505562	REV A
SCALE NTS	PRODUCT VV-14	SHEET 2 OF 2

REVISION			
REV	DESCRIPTION	DATE	APPROVED
-	INITIAL RELEASE PER ECO#000961	7/12/07	<i>[Signature]</i>

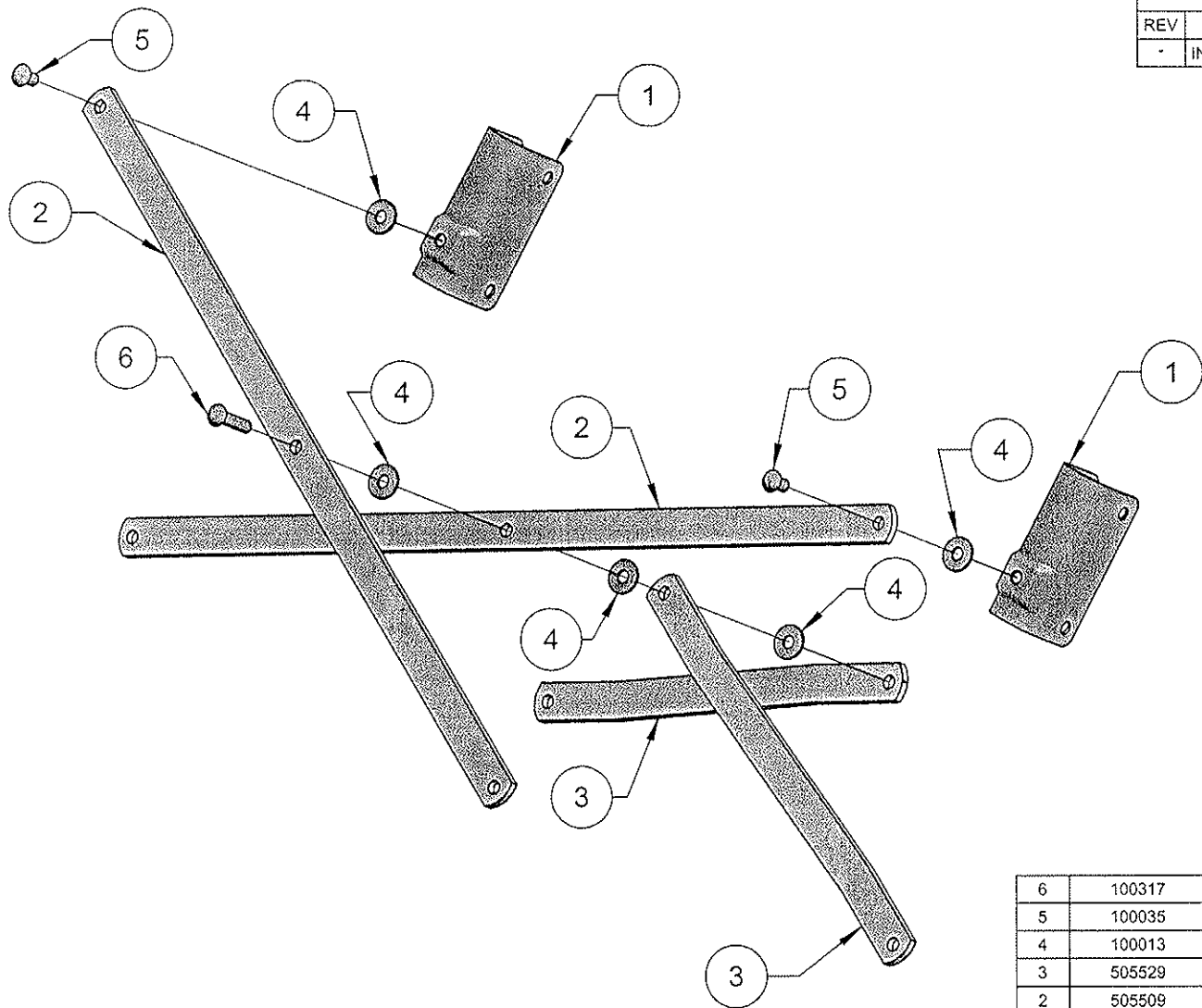


ITEM	PART NUMBER	DESCRIPTION	QTY
18	100013	NYLON WASHER 1/4" X 11/16"	2
17	100172	LOCKNUT 1/4"-28 CAPPED NYLON	4
16	100478	NYLON WASHER 1/4" X 3/4" X 1/8"	8
15	505591	VV-14 FOOTREST ASSY LH	1
14	505592	VV-14 FOOTREST ASSY RH	1
13	100065	COVER WASHER - 3/4"	12
12	100163	RIVET 1/4" X 1-9/16" S/T	2
11	100050	RIVET 1/4" X 1-5/16" S/T STEEL	2
10	500231	NYLON SLEEVE-LARGE	2
9	100149	SPACER 1/4" X 1" HEAVY FK	4
8	100089	WASHER 1/4" AN-960-416	10
7	100024	BOLT 1/4"-28 X 2-3/4" HEX HEAD	6
6	100523	IGUS BUSHING FLANGE 1/2" ID X 5/8" OD	4
5	500511	PIVOT BRACKET 7/8" - 7/8"	2
4	100031	RIVET 3/16" X 1-1/8" S/T	4
3	505556	VV-14 FRONT X BRACE ASSY	1
2	505514	VV-14 HANDLE TUBE WELDED RH	1
1	505513	VV-14 HANDLE TUBE WELDED LH	1

PARTS LIST			
UNLESS OTHERWISE SPECIFIED DIMENSIONS ARE IN INCHES TOLERANCES ARE: DECIMALS .x ± .06 .xx ± .03 .xxx ± .010			
FRACTIONS ± 1/16 ANGLES ± 1		<b>Convaid</b> P.O. Box 4209 Palos Verdes, CA 90274, USA	
APPROVAL		TITLE <b>VV-14 FRONT FRAME ASSY</b>	
DATE		DWG NO <b>505564</b>	
DRAWN	Turner	2/5/2007	REV -
CHECKED	<i>[Signature]</i>		
APPROVED	<i>[Signature]</i>	SCALE NTS	PRODUCT VV-14
			SHEET 1 OF 1

NOTES: UNLESS OTHERWISE SPECIFIED.

REVISION			
REV	DESCRIPTION	DATE	APPROVED
-	INITIAL RELEASE PER ECO#000961	7/2/09	<i>[Signature]</i>



6	100317	RIVET 1/4" X 1-1/16" S/T	1
5	100035	RIVET 1/4" X 7/16" S/T	2
4	100013	NYLON WASHER 1/4" X 11/16"	5
3	505529	VV-14 FRONT X BRACE REAR BAR	2
2	505509	VV-14 FRONT X BAR	2
1	500230	SLIDE HOUSING 7/8" ROUND	2
ITEM	PART NUMBER	DESCRIPTION	QTY

PARTS LIST

UNLESS OTHERWISE SPECIFIED  
 DIMENSIONS ARE IN INCHES  
 TOLERANCES ARE:  
 DECIMALS  
 .x ± .06 .xx ± .03 .xxx ± .010  
 FRACTIONS ± 1/16 ANGLES ± 1

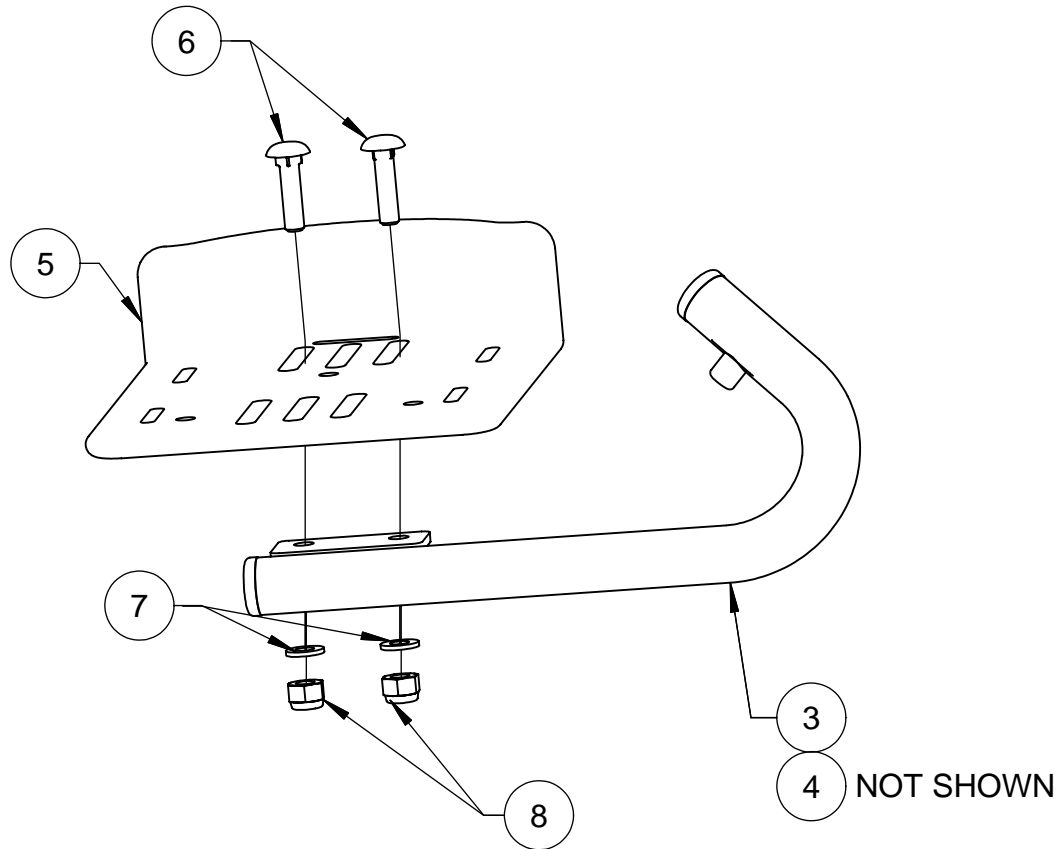
**Convaid** P.O. Box 4209  
 Palos Verdes, CA 90274, USA

TITLE  
**VV-14 FRONT X BRACE ASSY**

APPROVAL	DATE	SIZE	DWG NO	REV
<i>[Signature]</i>	1/29/2007	A	505556	-
CHECKED	<i>[Signature]</i>	SCALE NTS	PRODUCT VV-14	SHEET 1 OF 1
APPROVED	<i>[Signature]</i>			

NOTES: UNLESS OTHERWISE SPECIFIED.

REVISION			
REV	DESCRIPTION	DATE	APPROVED
-	INITIAL RELEASE PER ECO#000961	7/21/07	EN
A	REVISED PER ECO#001135		



505591 LH SHOWN  
505592 RH OPPOSITE

ITEM	PART NUMBER	DESCRIPTION	QTY
8	100570	LOCKNUT 1/4"-20 NYLON INSERT (FULL)	2
7	100089	WASHER 1/4" AN-960-416	2
6	100357	CARRIAGE BOLT 1/4"-20 X 1"	2
5	504106	FOOTPLATE STANDARD	1
4	505573	VV-14 FOOTPLATE TUBE ASSY RH	1
3	505572	VV-14 FOOTPLATE TUBE ASSY LH	1
2			
1			

(A)  
(A)

PARTS LIST

UNLESS OTHERWISE SPECIFIED  
DIMENSIONS ARE IN INCHES  
TOLERANCES ARE:  
DECIMALS  
.x ± .06 .xx ± .03 .xxx ± .010  
FRACTIONS ± 1/16 ANGLES ± 1

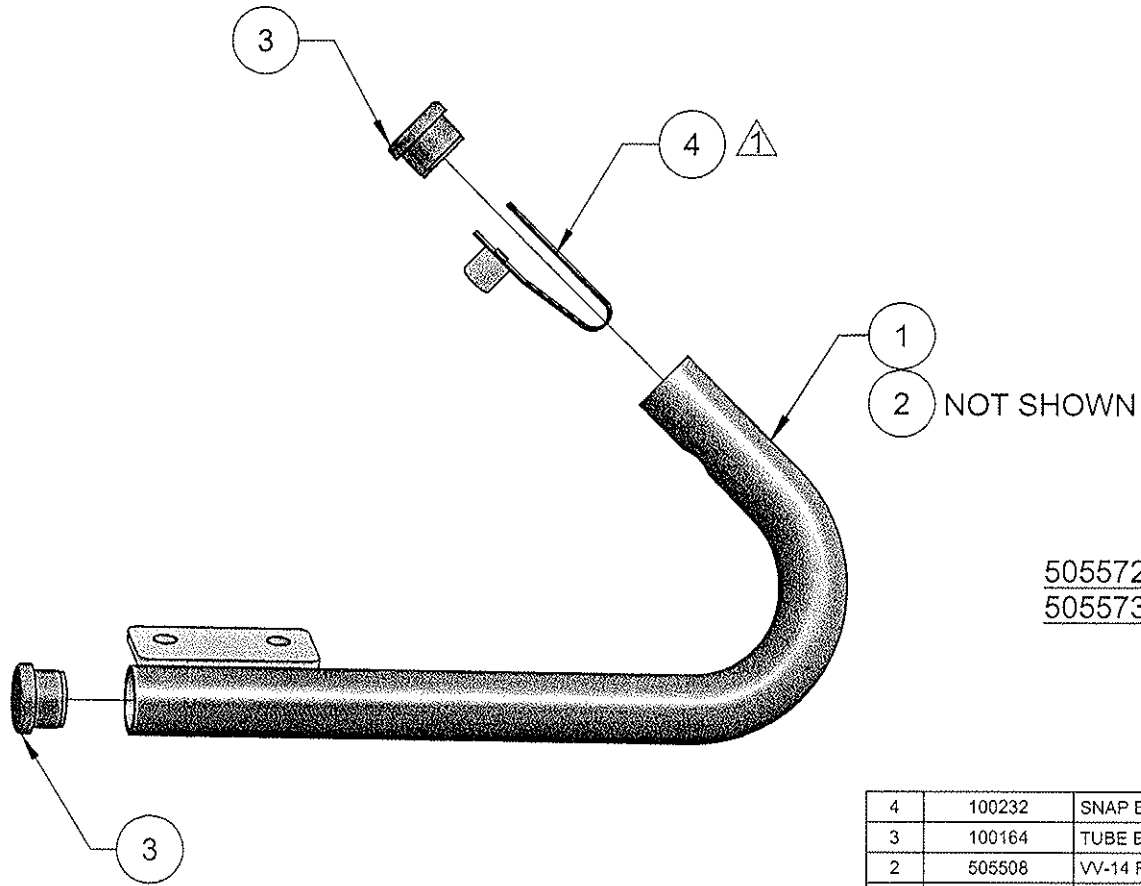
**Convaid** P.O. Box 4209  
Palos Verdes, CA 90274, USA

TITLE  
**VV-14 FOOTPLATE ASSY**

APPROVAL	DATE	SIZE	DWG NO	REV
DRAWN Turner	1/26/2007	A	505591/2	A
CHECKED BA	4/30/2007			
APPROVED EN	7/12/2007	SCALE NTS	PRODUCT VV-14	SHEET 1 OF 1

NOTES: UNLESS OTHERWISE SPECIFIED.

REVISION			
REV	DESCRIPTION	DATE	APPROVED
-	INITIAL RELEASE PER ECO#000961	7/12/07	<i>[Signature]</i>



505572 LH SHOWN  
505573 RH OPPOSITE

4	100232	SNAP BUTTON 3/8"	1
3	100164	TUBE END 3/4" ROUND .065 WALL	2
2	505508	VV-14 FOOTPLATE TUBE WELDED RH	1
1	505507	VV-14 FOOTPLATE TUBE WELDED LH	1
ITEM	PART NUMBER	DESCRIPTION	QTY

PARTS LIST

UNLESS OTHERWISE SPECIFIED  
DIMENSIONS ARE IN INCHES  
TOLERANCES ARE:  
DECIMALS  
.x ± .06 .xx ± .03 .xxx ± .010

**Convoid** P.O. Box 4209  
Palos Verdes, CA 90274, USA

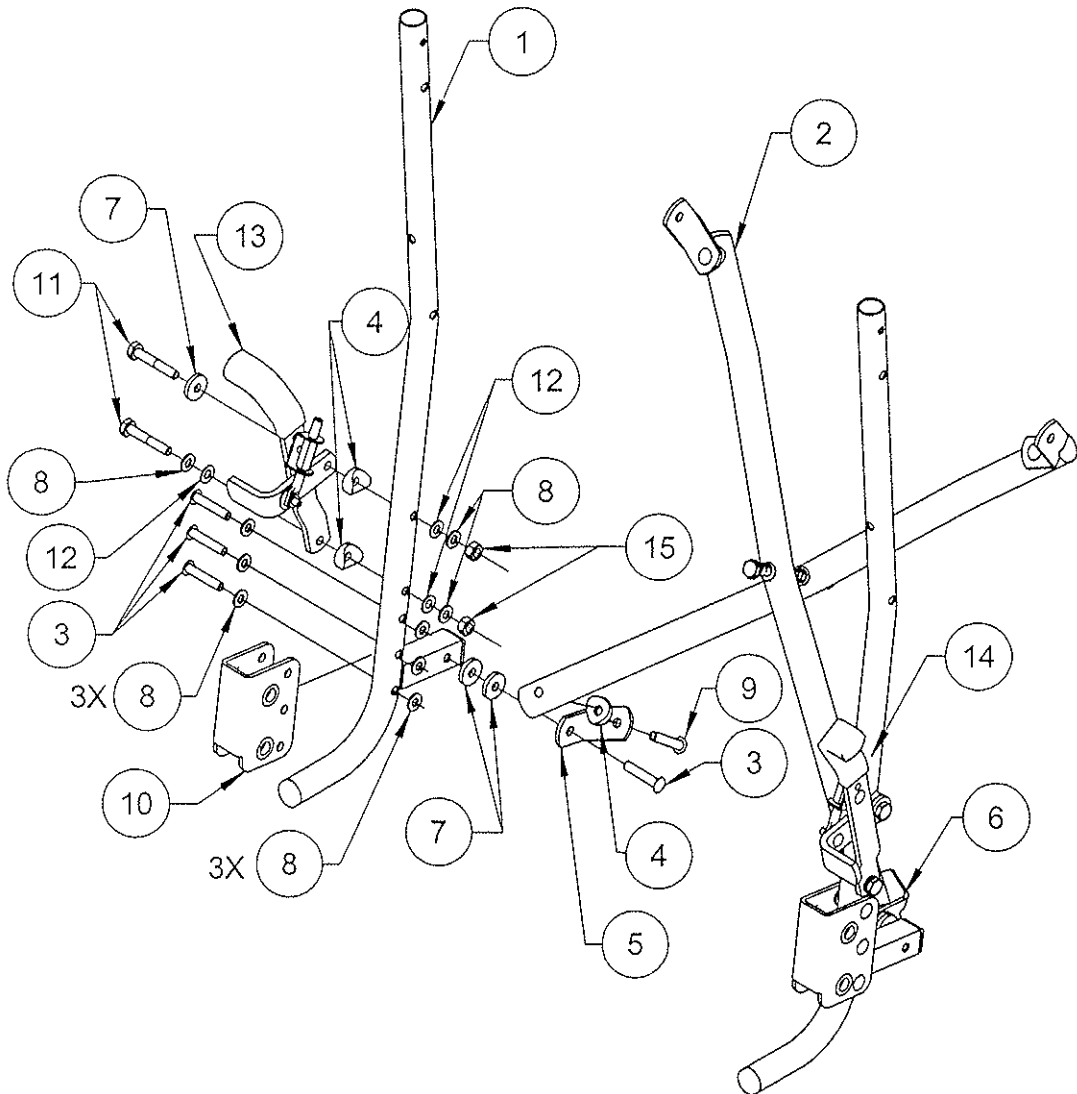
FRACTIONS ± 1/16 ANGLES ± 1°

TITLE  
**VV-14 FOOTPLATE TUBE ASSY**

APPROVAL	DATE	SIZE	DWG NO	REV
<i>[Signature]</i>	1/26/2007	A	505572/3	-
APPROVED	<i>[Signature]</i>	SCALE NTS	PRODUCT VV-14	SHEET 1 of 1

▲ INSERT SNAP BUTTON INTO FOOTPLATE TUBE UNTIL IT LOCKS INTO HOLE, AS SHOWN  
NOTES: UNLESS OTHERWISE SPECIFIED.

REVISION			
REV	DESCRIPTION	DATE	APPROVED
•	INITIAL RELEASE PER ECO#000961	7/12/07	<i>[Signature]</i>



15	100286	LOCKNUT 1/4"-28 JAM FLEXLOCK BLACK ZINC	4
14	505403	VIVO TOGGLE BRAKE ASSY RH	1
13	505402	VIVO TOGGLE BRAKE ASSY LH	1
12	100025	NYLON WASHER 1/4" X 1/2"	6
11	100267	BOLT 1/4"-28 X 1-1/2" HEX HEAD	4
10	503848	AXLE BRACKET	2
9	100050	RIVET 1/4" X 1-5/16" S/T STEEL	2
8	100089	WASHER 1/4" AN-960-416	18
7	100478	NYLON WASHER 1/4" X 3/4" X 1/8"	6
6	500017	CLEAT, RH	1
5	500016	CLEAT, LH	1
4	100065	COVERED WASHER - 3/4"	6
3	100209	RIVET 1/4" X 1-1/4" S/T ZINC	8
2	505565	VV-14 REAR X BRACE ASSY	1
1	505526	VV-14 REAR LEG WELDED	2
ITEM	PART NUMBER	DESCRIPTION	QTY

PARTS LIST

UNLESS OTHERWISE SPECIFIED  
DIMENSIONS ARE IN INCHES  
TOLERANCES ARE:  
DECIMALS  
.x ± .06 .xx ± .03 .xxx ± .010  
FRACTIONS ± 1/16 ANGLES ± 1

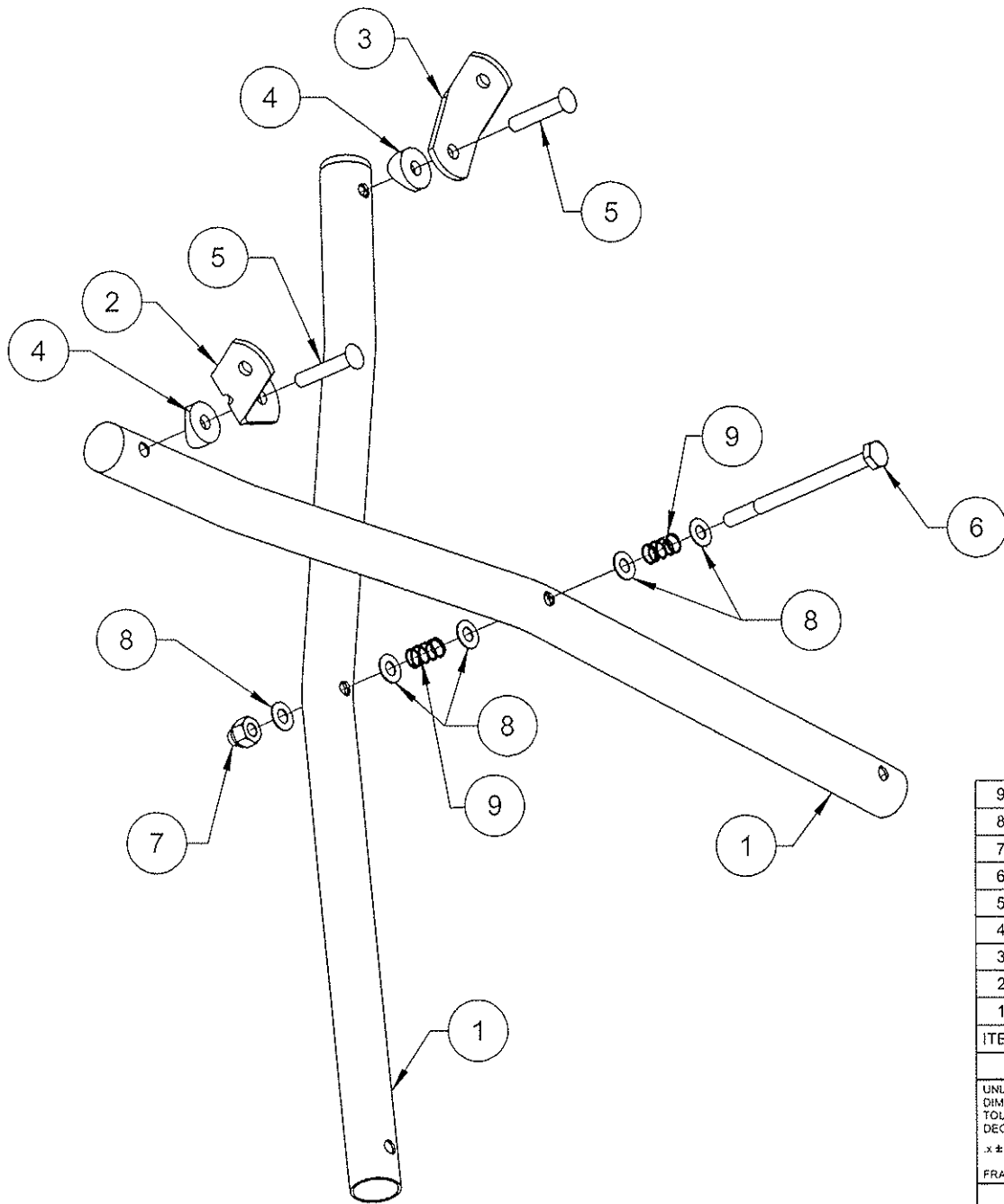
**Convoid** P.O. Box 4209  
Palos Verdes, CA 90274, USA

TITLE  
**VV-14 REAR FRAME ASSY**

APPROVAL	DATE	SIZE	DWG NO	REV
<i>[Signature]</i>	2/5/2007	A	505561	-
CHECKED	<i>[Signature]</i>			
APPROVED	7/12/07	SCALE NTS	PRODUCT VV-14	SHEET 1 OF 1

NOTES: UNLESS OTHERWISE SPECIFIED.

REVISION			
REV	DESCRIPTION	DATE	APPROVED
-	INITIAL RELEASE PER ECO#000961	7/12/07	MS



ITEM	PART NUMBER	DESCRIPTION	QTY
9	100027	COMPRESSION SPRING-FRONT X	2
8	100025	NYLON WASHER 1/4" X 1/2"	5
7	100172	LOCKNUT 1/4"-28 CAPPED NYLON	1
6	100046	BOLT 1/4"-28 X 3-1/2" HEX HEAD	1
5	100050	RIVET 1/4" X 1-5/16" S/T STEEL	2
4	100065	COVERED WASHER - 3/4"	2
3	500016	CLEAT, LH	1
2	500017	CLEAT, RH	1
1	500706	EZ-14 REAR X TUBE ASSY	2

PARTS LIST

UNLESS OTHERWISE SPECIFIED  
DIMENSIONS ARE IN INCHES  
TOLERANCES ARE:  
DECIMALS  
x ± .06 .xx ± .03 .xxx ± .010  
FRACTIONS ± 1/16 ANGLES ± 1

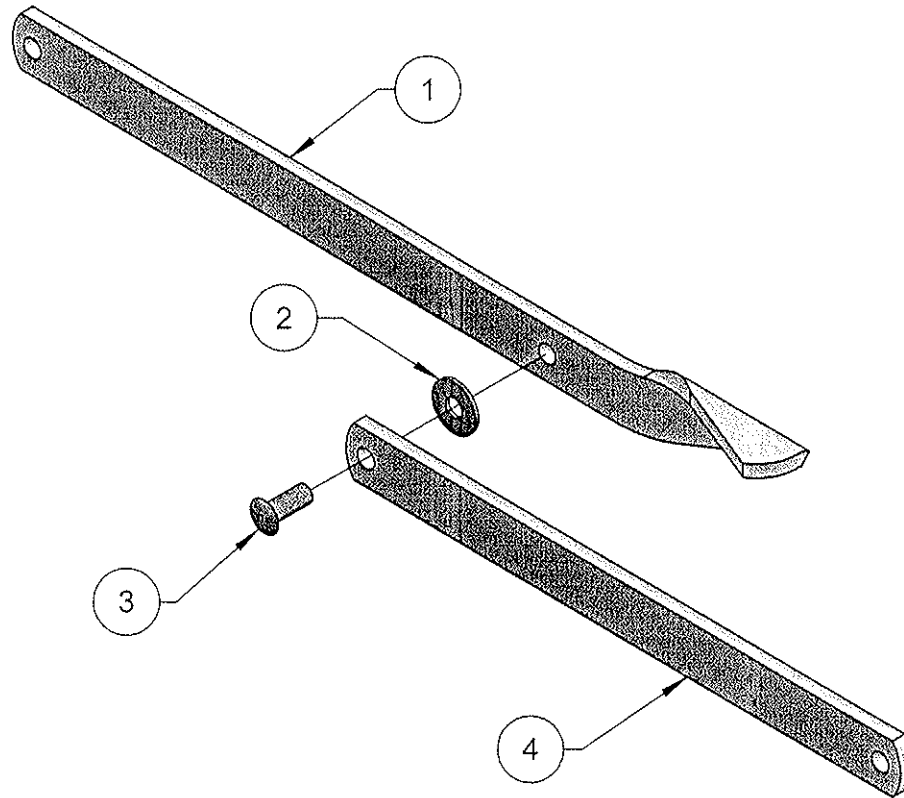
**Convaid** P.O. Box 4209  
Palos Verdes, CA 90274, USA

TITLE  
**VV-14 REAR X BRACE ASSY**

APPROVAL	DATE	SIZE	DWG NO	REV
Turner	1/30/2007		505565	-
CHECKED	MS	7/12/07		
APPROVED	MS	7/12/07	SCALE NTS	PRODUCT VV-14

NOTES: UNLESS OTHERWISE SPECIFIED.

REVISION			
REV	DESCRIPTION	DATE	APPROVED
-	INITIAL RELEASE PER ECO#000961	7/12/07	



ITEM	PART NUMBER	DESCRIPTION	QTY
4	505518	VV-14 REAR LOCK BRACE	1
3	100246	RIVET 1/4" X 5/8" S/T	1
2	100013	NYLON WASHER 1/4" X 11/16"	1
1	505517	VV-14 REAR LOCK BRACE BENT	1

PARTS LIST

UNLESS OTHERWISE SPECIFIED  
DIMENSIONS ARE IN INCHES  
TOLERANCES ARE:  
DECIMALS  
.x ± .06 .xx ± .03 .xxx ± .010  
FRACTIONS ± 1/16 ANGLES ± 1

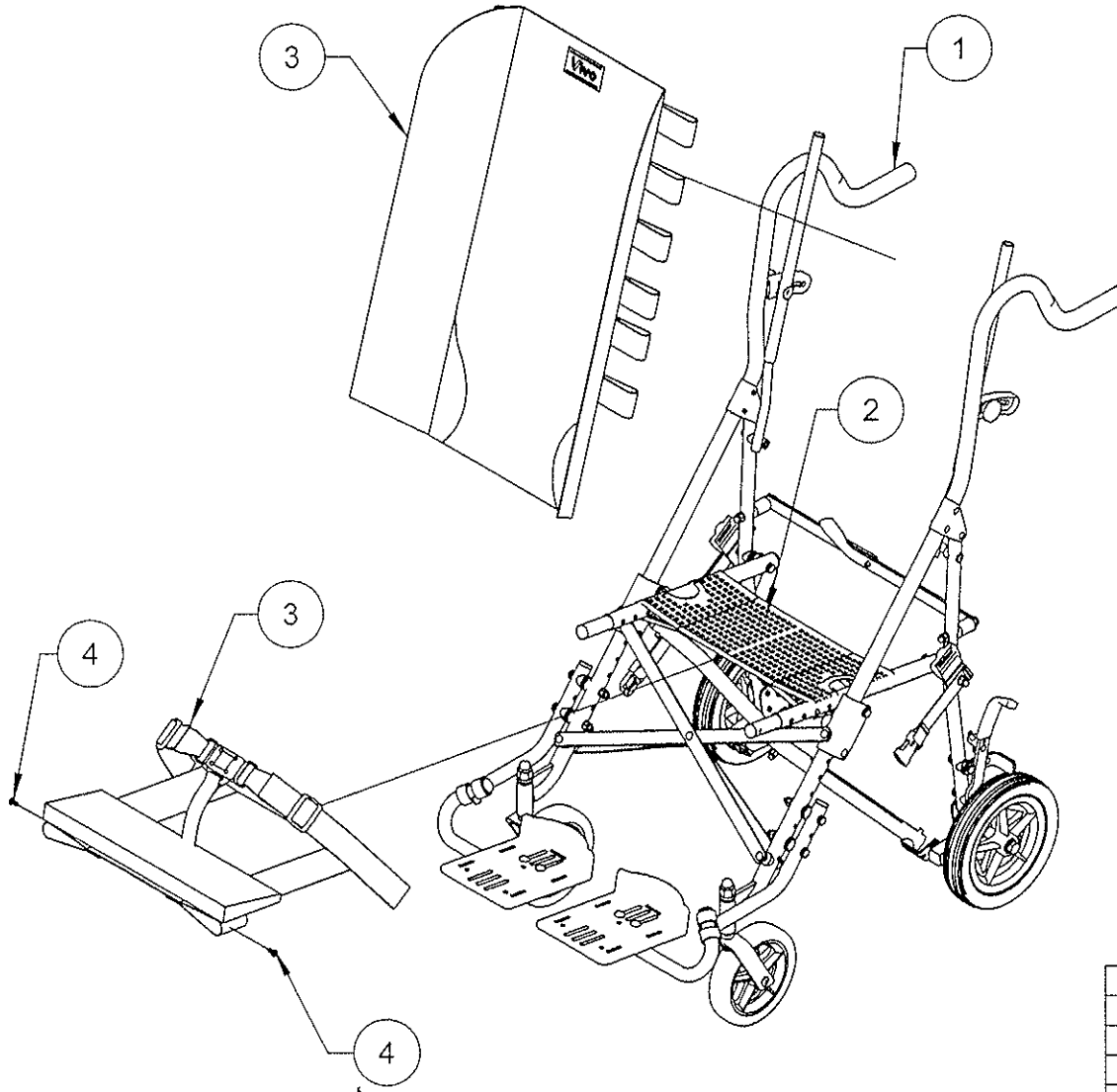
**Convaid** P.O. Box 4209  
Palos Verdes, CA 90274, USA

TITLE  
**VV-14 REAR LOCK BRACE  
ASSY**

APPROVAL	DATE	SCALE	NTS	PRODUCT	VV-14	SHEET	1 OF 1
DRAWN Turner	1/30/2007	SIZE		DWG NO	505560	REV	-
CHECKED BOK	7/25/07						
APPROVED W	7/12/07						

NOTES: UNLESS OTHERWISE SPECIFIED.

REVISION			
REV	DESCRIPTION	DATE	APPROVED
-	INITIAL RELEASE PER ECO#000961	7/16/07	W



4	100063	SHEET METAL SCREW #10 X 1/2"	2
3	505594	VV-14 SEAT ASSY	1
2	505593	VV-14 SEAT SUPPORT	1
1	505566	VV-14 FRAME ASSY WITH LONG SEAT TUBE	1
ITEM	PART NUMBER	DESCRIPTION	QTY

PARTS LIST

UNLESS OTHERWISE SPECIFIED  
 DIMENSIONS ARE IN INCHES  
 TOLERANCES ARE:  
 DECIMALS  
 .x ± .06 .xx ± .03 .xxx ± .010  
 FRACTIONS ± 1/16 ANGLES ± 1

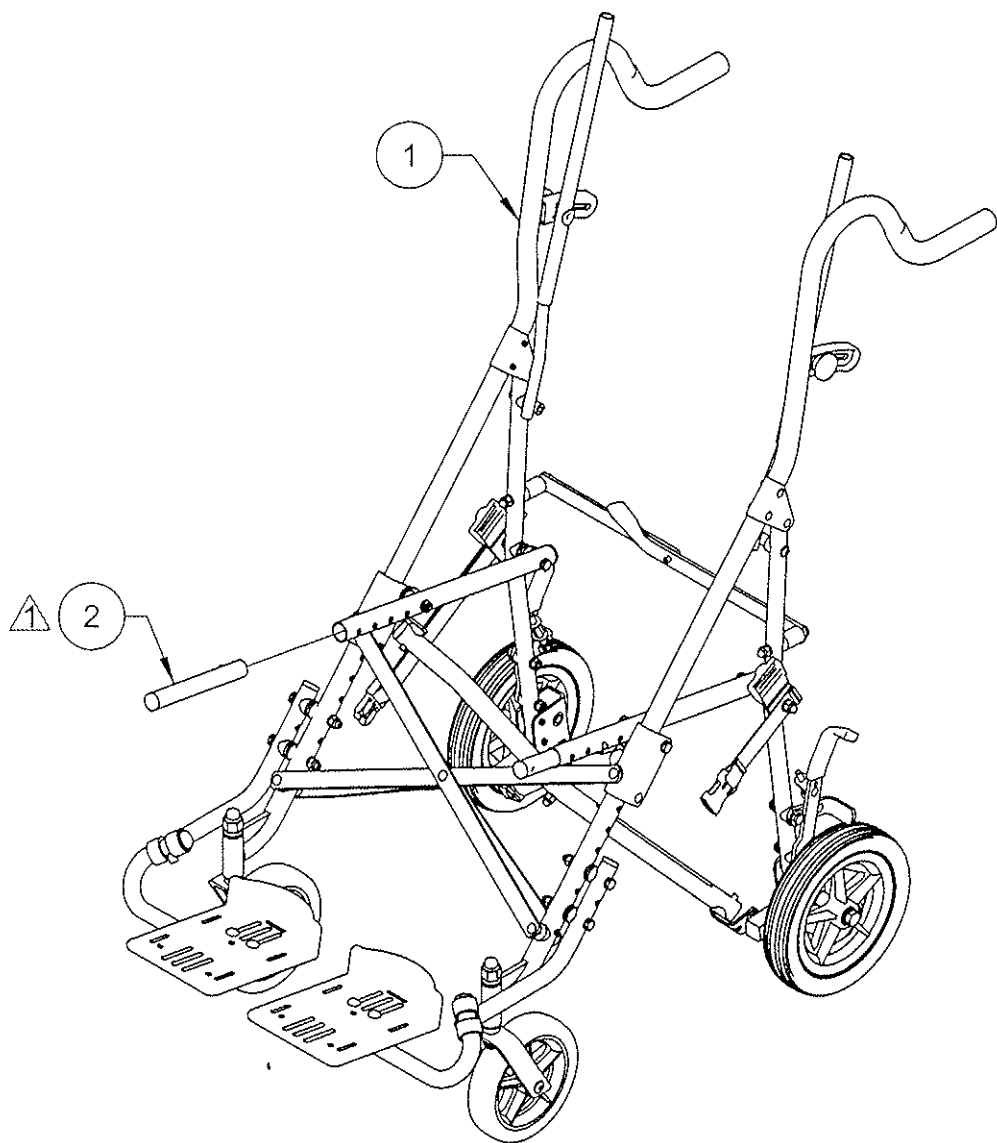
**Convoid** P.O. Box 4209  
 Palos Verdes, CA 90274, USA

TITLE  
**VV-14 FRAME ASSY WITH  
 LONG SEAT AND FABRIC**

DRAWN	Turner	2/26/2007	SIZE	DWG NO	REV
CHECKED	<i>[Signature]</i>	A		505570	-
APPROVED	<i>[Signature]</i>	7/16/07	SCALE NTS	PRODUCT VV-14	SHEET 1 OF 1

NOTES: UNLESS OTHERWISE SPECIFIED.

REVISION			
REV	DESCRIPTION	DATE	APPROVED
-	INITIAL RELEASE PER ECO#000961	7/12/07	<i>[Signature]</i>



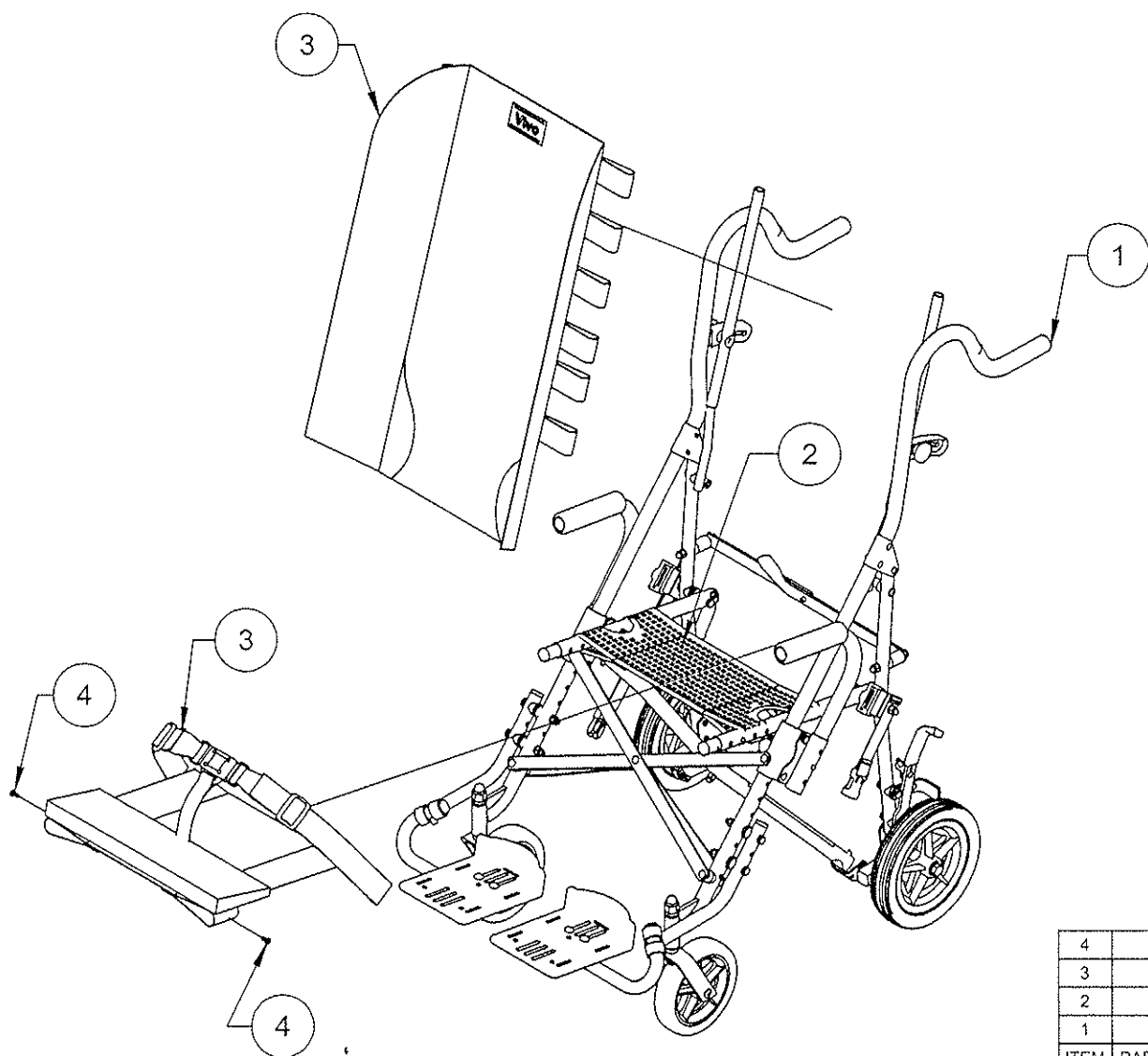
⚠ ITEM 2 REPLACES VV-12 SEAT EXTENSION TUBE ASSY (P/N: 505399)  
 NOTES: UNLESS OTHERWISE SPECIFIED.

ITEM	PART NUMBER	DESCRIPTION	QTY
2	502880	3" SEAT TUBE EXTENSION ALUMINUM ASSEMBLY	2
1	505562	VV-14 FRAME ASSY	1

PARTS LIST

UNLESS OTHERWISE SPECIFIED DIMENSIONS ARE IN INCHES TOLERANCES ARE: DECIMALS .x ± .06 .xx ± .03 .xxx ± .010 FRACTIONS ± 1/16 ANGLES ± 1		P.O. Box 4209 Palos Verdes, CA 90274, USA	
APPROVAL		TITLE	
DRAWN <i>Turner</i> 2/20/2007 CHECKED <i>BA</i> 9/13/07 APPROVED <i>M</i> 7/12/07		VV-14 FRAME ASSY WITH LONG SEAT DWG NO 505566 SCALE NTS PRODUCT VV-14	
DATE		REV	
		-	
		SHEET 1 OF 1	

REVISION			
REV	DESCRIPTION	DATE	APPROVED
-	INITIAL RELEASE PER ECO#000961	7/23/09	W



ITEM	PART NUMBER	DESCRIPTION	QTY
4	100063	SHEET METAL SCREW #10 X 1/2"	2
3	505594	VV-14 SEAT ASSY	1
2	505593	VV-14 SEAT SUPPORT	1
1	505563	VV-14 FRAME ASSY WITH ARMREST	1

PARTS LIST

UNLESS OTHERWISE SPECIFIED  
 DIMENSIONS ARE IN INCHES  
 TOLERANCES ARE  
 DECIMALS  
 .x ± .06 xx ± .03 .xxx ± .010  
 FRACTIONS ± 1/16 ANGLES ± 1

**Convoid** P.O. Box 4209  
 Palos Verdes, CA 90274, USA

TITLE  
**VV-14 FRAME ASSY WITH  
 ARMREST AND FABRIC**

DRAWN	Turner	2/21/2007	SIZE	DWG NO	REV
CHECKED	<i>BLA</i>	<i>7/23/09</i>	A	505569	-
APPROVED	<i>W</i>	<i>7/23/09</i>	SCALE NTS	PRODUCT VV-14	SHEET 1 of 1

NOTES: UNLESS OTHERWISE SPECIFIED.


PARTS LIST			
ITEM	PART NUMBER	DESCRIPTION	QTY
1	505559	VV-14 FRONT FRAME ASSY WITH ARMREST	1
2	505561	VV-14 REAR FRAME ASSY	1
3	505528	VV-14 SEAT TUBE	2
4	505560	VV-14 REAR LOCK BRACE ASSY	1
5	100009	BOLT 1/4"-28 X 3" HEX HEAD	2
6	100089	WASHER 1/4" AN-960-416	6
7	100065	COVED WASHER - 3/4"	12
8	100478	NYLON WASHER 1/4" X 3/4" X 1/8"	8
9	100025	NYLON WASHER 1/4" X 1/2"	12
10	505332	SEAT BELT ADJUSTMENT ASSY 1-1/2"	2
11	502096	CLOSING STRAP ASSEMBLY	1
12	100172	LOCKNUT 1/4"-28 CAPPED NYLON	4
13	100286	LOCKNUT 1/4"-28 JAM FLEXLOCK BLACK ZINC	2
14	100024	BOLT 1/4"-28 X 2-3/4" HEX HEAD	2
15	100698	PLASTIC KNOB 1/4"-20 X 1.5" MALE STUD	2
16	506167	VV-14 UPPER SEAT BACK TUBE ASSY	2
17	100394	LOCKNUT 1/4"-20 JAM NYLON INSERT	2
18	505520	VV-14 LOWER SEAT BACK TUBE WELDED RH	1
19	505519	VV-14 LOWER SEAT BACK TUBE WELDED LH	1
20	100013	NYLON WASHER 1/4" X 11/16"	4
21	505543	VV-14 REAR LOCK SPACER	2
22	100049	BOLT 7/16"-20 X 4" HEX HEAD	2
23	100090	WASHER 7/16" AN-960-716	10
24	505406	8" EVA WHEEL ASSY WITH BEARINGS	2
25	100021	LOCKNUT 7/16"-20 NYLON INSERT BLACK ZINC	2
26	505405	6" EVA WHEEL ASSY WITH BEARINGS	2
27	505404	VIVO CASTER ASSY	2
28	503508	SEX BOLT FEMALE .312-18	2
29	503507	SEX BOLT MALE .312-18	2
30	100130	"O" RING BEUNA-NITRIAL	2
31	100405	LOCKNUT 1/2"-20 CAPPED NYLON	2
32	505399	VV-12 SEAT EXTENSION TUBE ASSY	2
33	000167	3M RUBBER & GASKET ADHESIVE	AR
34	500226	HANDLE GRIP 3/4" ID X 7"	2
35	502808	ADHESIVE LABEL-TEMPLATE	1
36	100031	RIVET 3/16" X 1-1/8" S/T	2
37	100632	BOLT 1/4"-20 X 1-1/2" SOCKET BUTTON HEAD	2
38	505558	VV-14 ARMREST TUBE ASSY RH	1
39	505557	VV-14 ARMREST ASSY ASSY LH	1

(A)

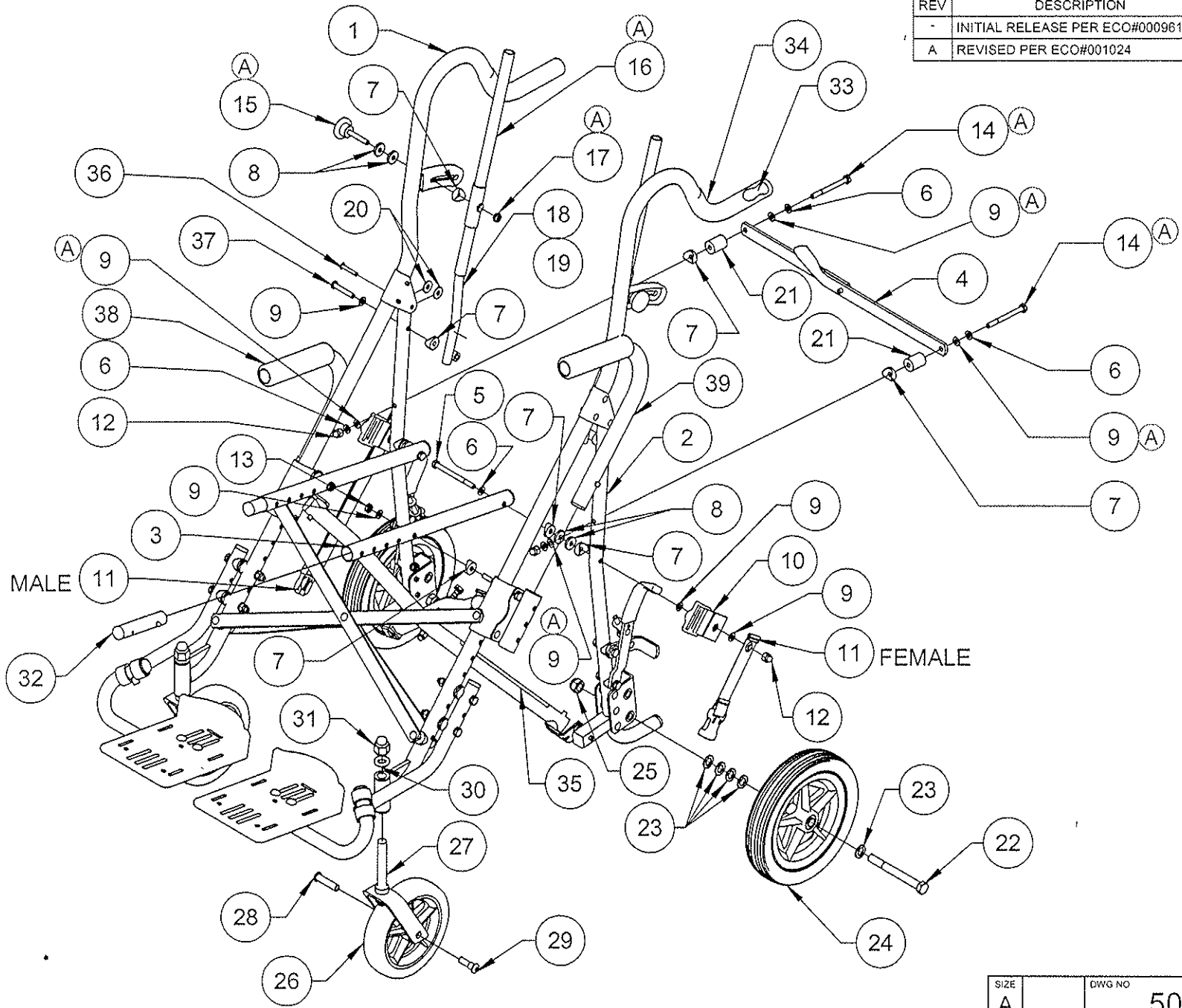
(A)

REVISION			
REV	DESCRIPTION	DATE	APPROVED
-	INITIAL RELEASE PER ECO#000961	7/16/07	EN
A	REVISED PER ECO#001024	6/27/08	EN

NOTES: UNLESS OTHERWISE SPECIFIED.

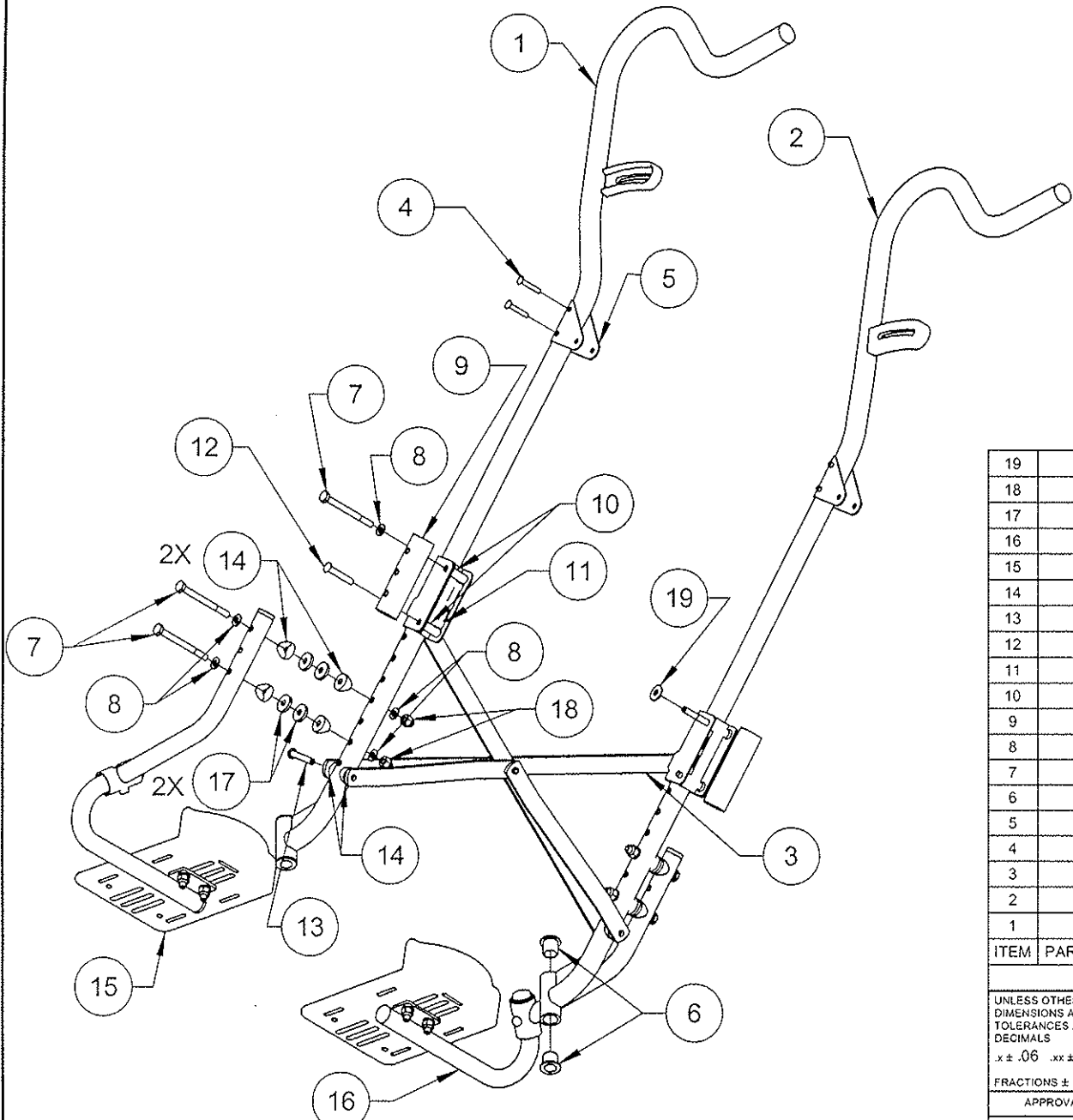
UNLESS OTHERWISE SPECIFIED DIMENSIONS ARE IN INCHES TOLERANCES ARE: DECIMALS .x ± .06 .xx ± .03 .xxx ± .010 FRACTIONS ± 1/16 ANGLES ± 1		 P.O. Box 4209 Palos Verdes, CA 90274, USA	
DRAWN Turner 2/12/2007		TITLE <b>VV-14 FRAME ASSY W/ARMREST</b>	
CHECKED BA 7/16/2007	APPROVAL EN 7/16/2007	SIZE <b>A</b>	DWG NO <b>505563</b>
APPROVED EN 7/16/2007		SCALE NTS	PRODUCT VV-14 SHEET 1 OF 2

REVISION			
REV	DESCRIPTION	DATE	APPROVED
-	INITIAL RELEASE PER ECO#000961	7/16/07	EN
A	REVISED PER ECO#001024	6/27/08	W



SIZE A	DWG NO 505563	REV A
SCALE NTS	PRODUCT VV-14	SHEET 2 OF 2

REVISION			
REV	DESCRIPTION	DATE	APPROVED
-	INITIAL RELEASE PER ECO#000961	7/12/07	W



19	100013	NYLON WASHER 1/4" X 11/16"	2
18	100172	LOCKNUT 1/4"-28 CAPPED NYLON	4
17	100478	NYLON WASHER 1/4" X 3/4" X 1/8"	8
16	505592	VV-14 FOOTPLATE ASSY RH	1
15	505591	VV-14 FOOTPLATE ASSY LH	1
14	100065	COVERED WASHER - 3/4"	12
13	100163	RIVET 1/4" X 1-9/16" S/T	2
12	100151	RIVET 1/4" X 1-7/16" S/T STEEL	2
11	500231	NYLON SLEEVE-LARGE	2
10	100149	SPACER 1/4" X 1" HEAVY FK	4
9	505278	VIVO ARMREST MOUNT WELDED	2
8	100089	WASHER 1/4" AN-960-416	10
7	100024	BOLT 1/4"-28 X 2-3/4" HEX HEAD	6
6	100523	IGUS BUSHING FLANGE 1/2" ID X 5/8" OD	4
5	500511	PIVOT BRACKET 7/8" - 7/8"	2
4	100031	RIVET 3/16" X 1-1/8" S/T	4
3	505556	VV-14 FRONT X BRACE ASSY	1
2	505514	VV-14 HANDLE TUBE WELDED RH	1
1	505513	VV-14 HANDLE TUBE WELDED LH	1

ITEM PART NUMBER DESCRIPTION QTY

UNLESS OTHERWISE SPECIFIED DIMENSIONS ARE IN INCHES TOLERANCES ARE: DECIMALS .x ± .06 .xx ± .03 .xxx ± .010 FRACTIONS ± 1/16 ANGLES ± 1

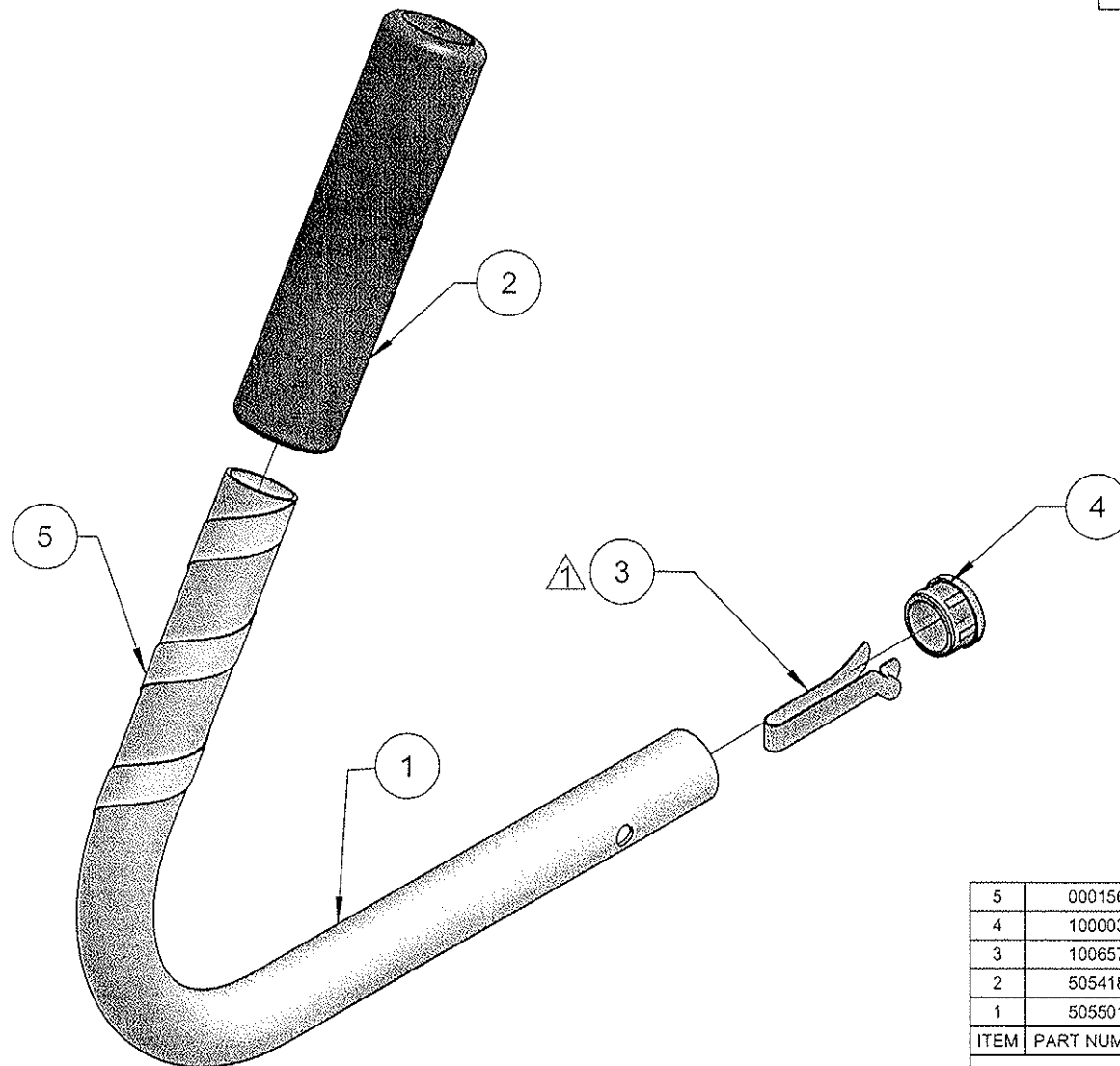
**Convaid** P.O. Box 4209 Palos Verdes, CA 90274, USA

TITLE  
**VV-14 FRONT FRAME ASSY W/ARMREST**

APPROVAL	DATE	SIZE	DWG NO	REV
Turner	2/2/2007		505559	-
CHECKED	W	7/12/07		
APPROVED	W	7/12/07		

NOTES: UNLESS OTHERWISE SPECIFIED.

REVISION			
REV	DESCRIPTION	DATE	APPROVED
-	INITIAL RELEASE PER ECO#000961	7/12/07	<i>[Signature]</i>



505557 LH OPPOSITE  
505558 RH SHOWN

ITEM	PART NUMBER	DESCRIPTION	QTY
5	000156	DOUBLE SIDED TAPE	AR
4	100003	TUBE END 7/8" ROUND	1
3	100657	SNAP BUTTON 1/4"	1
2	505418	FOAM ARMREST 5" X 3/4" ID	1
1	505501	VV-14 ARMREST TUBE	1

UNLESS OTHERWISE SPECIFIED  
DIMENSIONS ARE IN INCHES  
TOLERANCES ARE:  
DECIMALS  
x ± .06 xx ± .03 xxx ± .010  
FRACTIONS ± 1/16 ANGLES ± 1

**Convoid** P.O. Box 4209  
Palos Verdes, CA 90274, USA

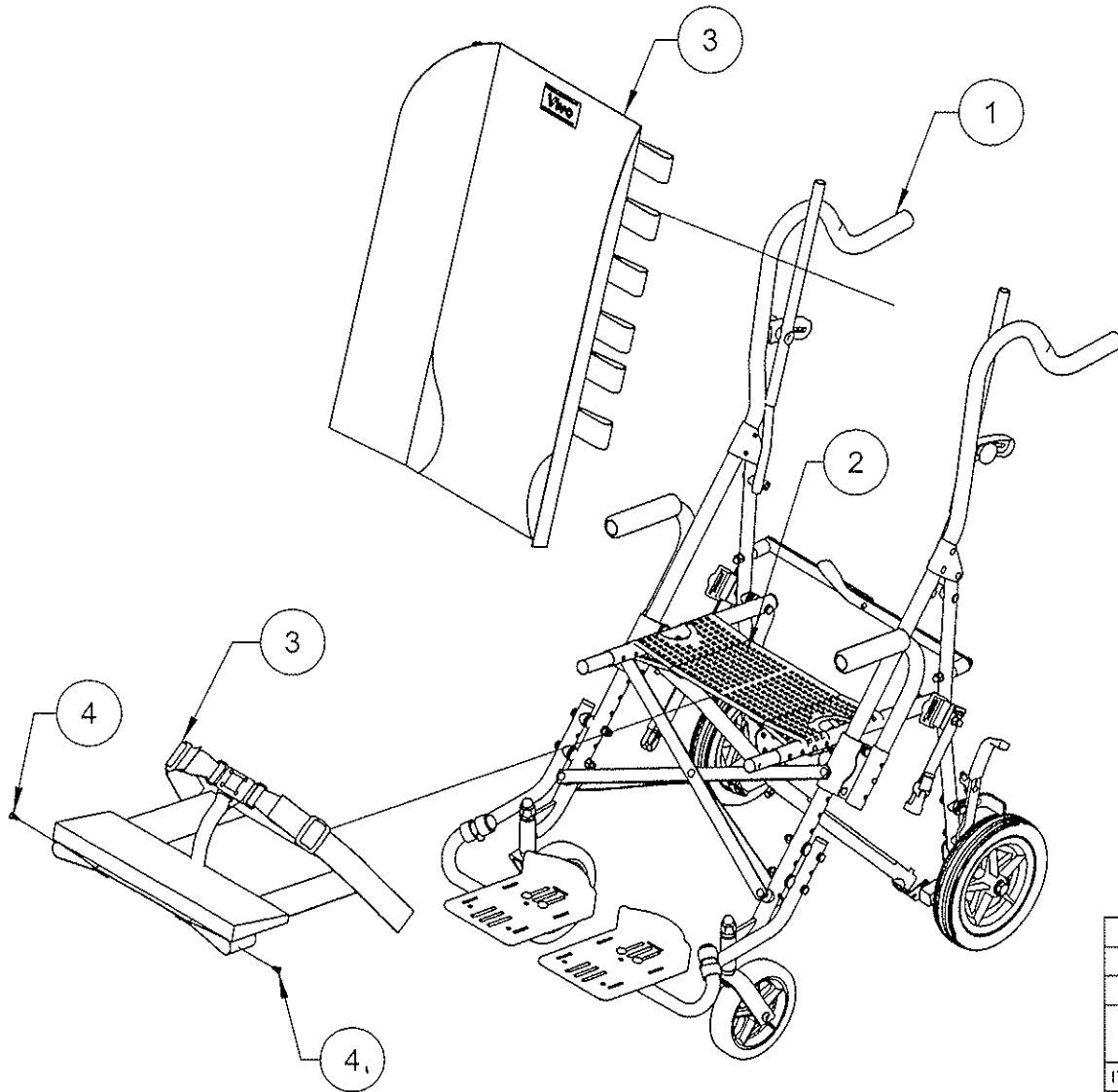
TITLE  
**VV-14 ARMREST ASSY**

APPROVAL	DATE	SIZE	DWG NO	REV
<i>[Signature]</i>	1/25/2007	A	505557/8	-

APPROVED *[Signature]* 7/12/07 SCALE NTS PRODUCT VV-14 SHEET 1 OF 1

△ INSERT SNAP BUTTON INTO ARMREST TUBE UNTIL  
IT LOCKS INTO HOLE AS SHOWN  
NOTES: UNLESS OTHERWISE SPECIFIED.

REVISION			
REV	DESCRIPTION	DATE	APPROVED
-	INITIAL RELEASE PER ECO#000961	7/16/07	<i>[Signature]</i>



4	100063	SHEET METAL SCREW #10 X 1/2"	2
3	505594	VV-14 SEAT ASSY	1
2	505593	VV-14 SEAT SUPPORT	1
1	505567	VV-14 FRAME ASSY WITH ARMREST AND LONG SEAT	1

ITEM	PART NUMBER	DESCRIPTION	QTY
------	-------------	-------------	-----

PARTS LIST

UNLESS OTHERWISE SPECIFIED  
DIMENSIONS ARE IN INCHES  
TOLERANCES ARE:  
DECIMALS  
.x ± .06 .xx ± .03 .xxx ± .010  
FRACTIONS ± 1/16 ANGLES ± 1

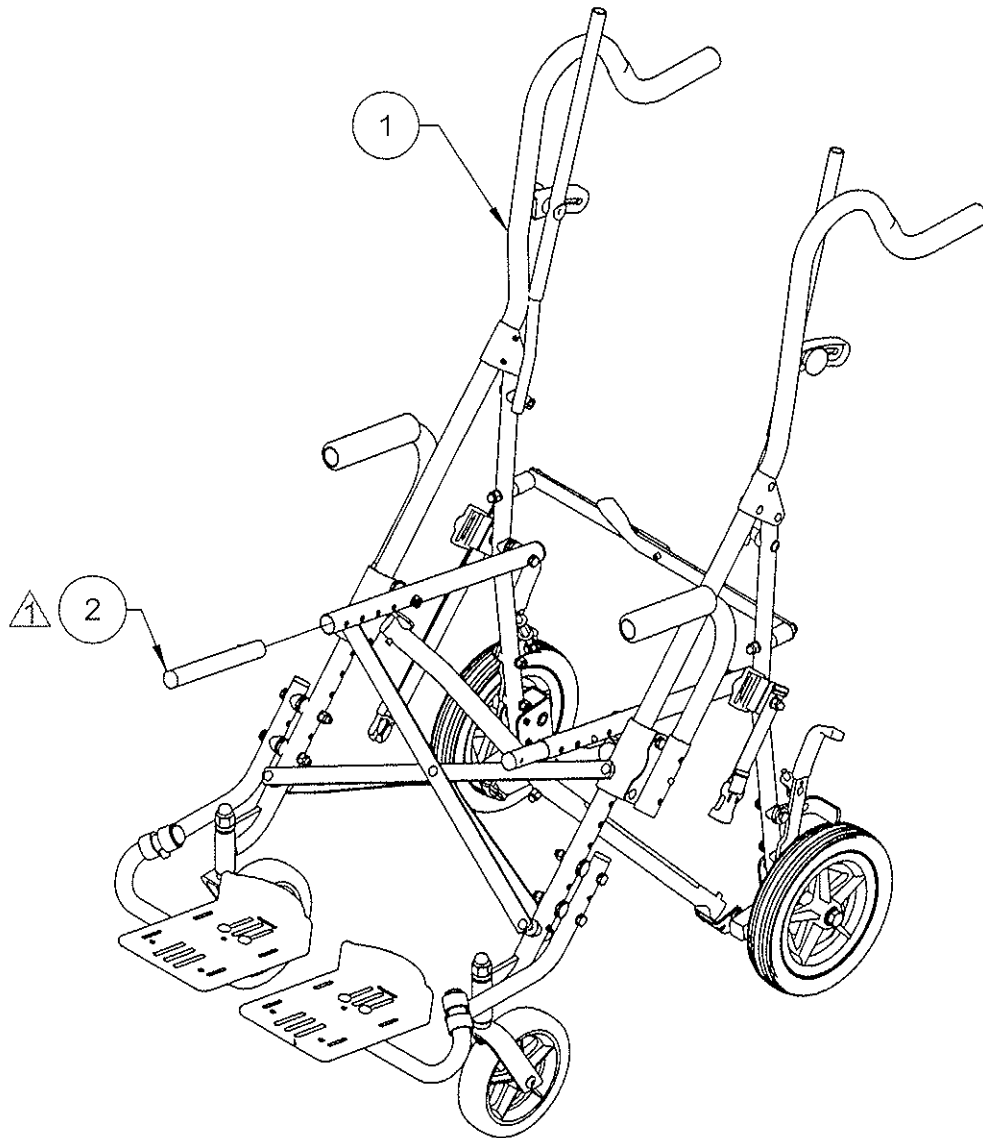
**Convoid** P.O. Box 4209  
Palos Verdes, CA 90274, USA

TITLE  
**VV-14 FRAME ASSY ARMREST  
LONG SEAT WITH FABRIC**

APPROVAL	DATE	SIZE	DWG NO	REV
<i>[Signature]</i>	7/16/07	A	505571	-
APPROVED		SCALE NTS	PRODUCT VV-14	SHEET 1 OF 1

NOTES: UNLESS OTHERWISE SPECIFIED.

REVISION			
REV	DESCRIPTION	DATE	APPROVED
-	INITIAL RELEASE PER ECO#000961	7/12/07	as



ITEM	PART NUMBER	DESCRIPTION	QTY
2	502880	3" SEAT TUBE EXTENSION ALUMINUM ASSEMBLY	2
1	505563	VV-14 FRAME ASSY WITH ARMREST	1

PARTS LIST

UNLESS OTHERWISE SPECIFIED  
DIMENSIONS ARE IN INCHES  
TOLERANCES ARE:  
DECIMALS  
.x ± .06 .xx ± .03 .xxx ± .010  
FRACTIONS ± 1/16 ANGLES ± 1

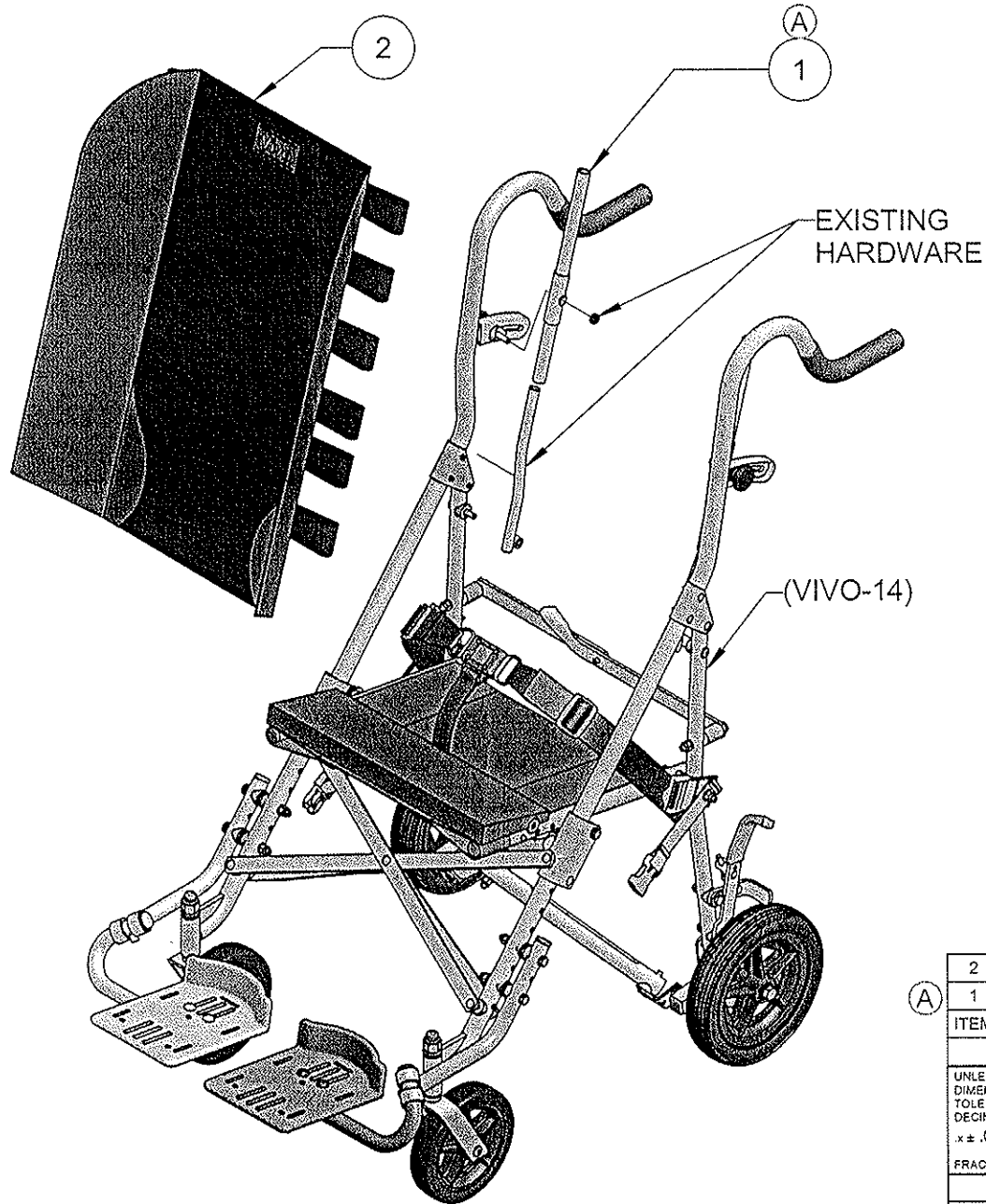
**Convoid** P.O. Box 4209  
Palos Verdes, CA 90274, USA

TITLE  
VV-14 FRAME ASSY WITH  
ARMREST AND LONG SEAT

DRAWN	Turper	2/20/007	SIZE	DWG NO	REV
CHECKED	BA	01/07/07	A	505567	"
APPROVED	MA	7/12/07	SCALE NTS	PRODUCT VV-14	SHEET 1 of 1

⚠ ITEM 2 REPLACES VV-12 SEAT EXTENSION TUBE  
ASSY (P/N: 505399)  
NOTES: UNLESS OTHERWISE SPECIFIED.

REVISION			
REV	DESCRIPTION	DATE	APPROVED
-	INITIAL RELEASE PER ECO#000981	9/27/07	EN
A	REVISED PER ECO#001024	6/25/08	EN



ITEM	PART NUMBER	DESCRIPTION	QTY
2	505734	VV-14 SHORT SEAT BACK ASSY	1
1	506166	VV-14 UPPER SEAT BACK TUBE, SHORT ASSY	2

(A)

PARTS LIST

UNLESS OTHERWISE SPECIFIED  
 DIMENSIONS ARE IN INCHES  
 TOLERANCES ARE:  
 DECIMALS  
 x ± .06 .xx ± .03 .xxx ± .010  
 FRACTIONS ± 1/16 ANGLES ± 1

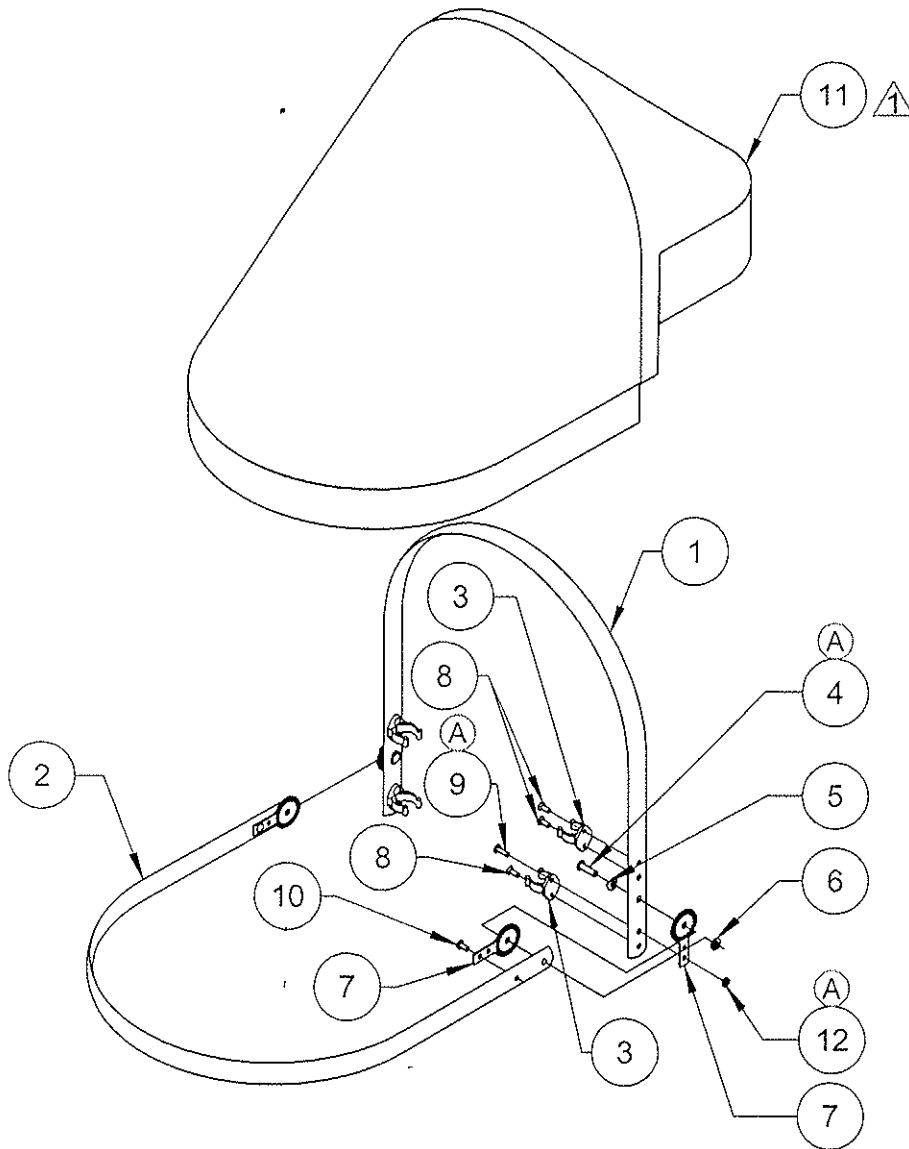
**Convoid** P.O. Box 4209  
 Palos Verdes, CA 90274, USA

TITLE  
**VIVO 14 SHORT SEAT BACK  
 OPTION**

DRAWN	Turner	5/23/2007	SIZE		DWG NO		REV	
CHECKED	BA	6/11/2007	A		505735		A	
APPROVED	EN	9/27/2007	SCALE	NTS	PRODUCT	VV-14	SHEET	1 OF 1

NOTES: UNLESS OTHERWISE SPECIFIED.

REVISION			
REV	DESCRIPTION	DATE	APPROVED
-	INITIAL RELEASE PER ECO#000961	7/12/07	EN
A	REVISED PER ECO#001012	1/18/08	W



ITEM	PART NUMBER	DESCRIPTION	QTY
(A) 12	100120	BACK UP WASHER 3/16"	2
11	505596	VIVO 14 CANOPY FABRIC	1
10	100193	RIVET 3/16" X 7/16" S/T STEEL	2
(A) 9	100109	RIVET 3/16" X 5/8" S/T	2
8	100390	RIVET 3/16" X 1/2" S/T C/S HEAD	6
7	501594	PIVOT LOCK PLATE	4
6	100089	WASHER 1/4" AN-960-416	2
5	100058	BELLVILLE WASHER 1/4" X 9/16"	2
(A) 4	100226	RIVET 1/4" X 7/8" S/T STEEL	2
3	100653	SPRING-ACTION TOOL HOLDER BLACK THERMO PLASTIC 7/8" TO 1-1/8"	4
2	505436	VV-12 FRONT CANOPY BRACE	1
1	505554	VIVO 14 CANOPY MAIN SUPPORT	1

UNLESS OTHERWISE SPECIFIED  
DIMENSIONS ARE IN INCHES  
TOLERANCES ARE:  
DECIMALS  
.x ± .06 .xx ± .03 .xxx ± .010  
FRACTIONS ± 1/16 ANGLES ± 1

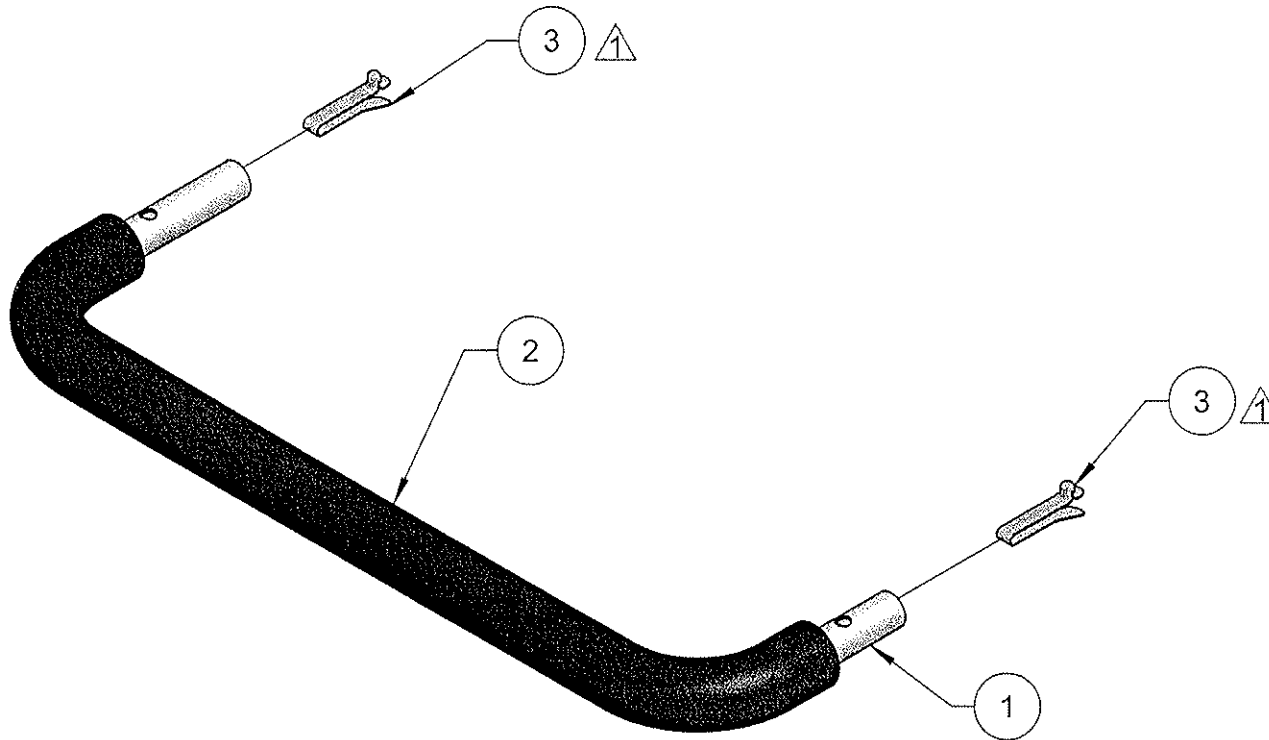
**Convoid** P.O. Box 4209  
Palos Verdes, CA 90274, USA

TITLE  
**VV-14 CANOPY ASSY**

APPROVAL	DATE	SIZE	DWG NO	REV
DRAWN Turner	2/27/2007	A	505595	A
CHECKED BA	4/26/2007			
APPROVED EN	7/12/2007	SCALE NTS	PRODUCT VV-14	SHEET 1 OF 1

⚠ INSERT CANOPY MAIN SUPPORT & FRONT CANOPY BRACE ON TO CANOPY FABRIC PRIOR TO RIVETING ASSEMBLY.  
NOTES: UNLESS OTHERWISE SPECIFIED.

REVISION			
REV	DESCRIPTION	DATE	APPROVED
-	INITIAL RELEASE PER ECO#000961	7/12/07	<i>W</i>



ITEM	PART NUMBER	DESCRIPTION	QTY
3	100657	SNAP BUTTON 1/4"	2
2	000203	STOCK FOAM TUBING 3/4" X 22" LONG	1
1	505500	VV-14 GRAB BAR TUBE	1

PARTS LIST

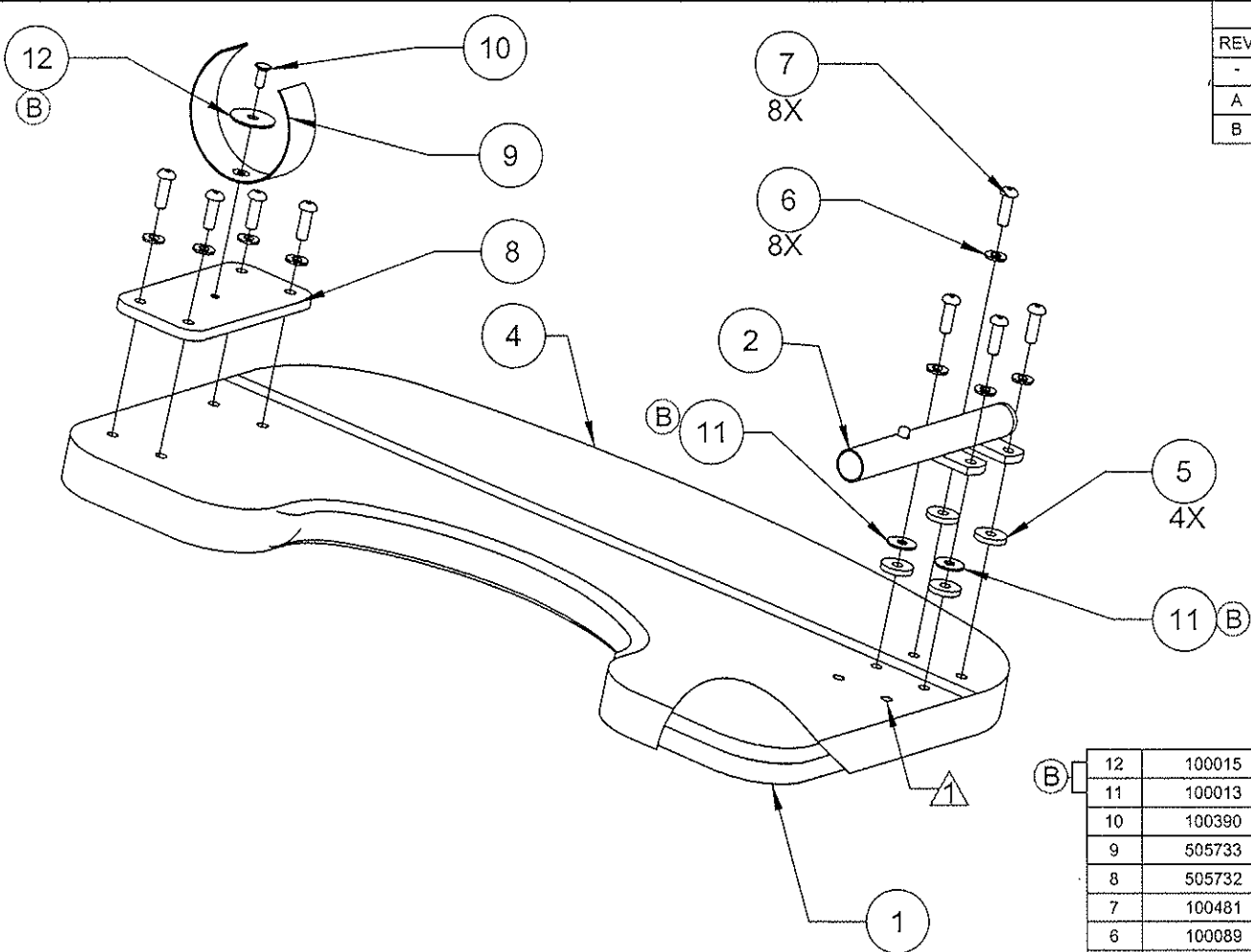
UNLESS OTHERWISE SPECIFIED  
DIMENSIONS ARE IN INCHES  
TOLERANCES ARE:  
DECIMALS  
.x ± .06 .xx ± .03 .xxx ± .010  
FRACTIONS ± 1/16 ANGLES ± 1

**Convoid** P.O. Box 4209  
Palos Verdes, CA 90274, USA

TITLE  
**VV-14 GRAB BAR ASSY**

DRAWN	Turner	2/27/2007	SIZE		DWG NO	505574	REV	-
CHECKED	<i>BLK</i>	7/12/07	A					
APPROVED	<i>W</i>	7/12/07	SCALE	NTS	PRODUCT	VV-14	SHEET	1 OF 1

**⚠** INSERT SNAP BUTTON INTO GRAB BAR TUBE UNTIL IT LOCKS INTO .257 DIAMETER HOLE, AS SHOWN  
NOTES: UNLESS OTHERWISE SPECIFIED.



REVISION			
REV	DESCRIPTION	DATE	APPROVED
-	INITIAL RELEASE PER ECO#000961	7/12/07	EN
A	REVISED PER ECO#000981	9/27/07	EN
B	REVISED PER ECO#001035	6/12/08	EN

ITEM	PART NUMBER	DESCRIPTION	QTY
12	100015	FENDER WASHER 1/4" X 1"	1
11	100013	NYLON WASHER 1/4" X 11/16"	2
10	100390	RIVET 3/16" X 1/2" S/T C/S HEAD	1
9	505733	VIVO TRAY STRAP	1
8	505732	VIVO TRAY SPACER PLATE	1
7	100481	BOLT 1/4"-20 X 3/4" SOCKET BUTTON HEAD	8
6	100089	WASHER 1/4" AN-960-416	8
5	100478	NYLON WASHER 1/4" X 3/4" X 1/8"	4
4	505702	VV-14 TRAY COVER	1
3			
2	505489	VIVO 12 TRAY TUBE ASSY LONG	1
1	505701	VIVO 14 TRAY FOAM ASSY	1

⚠ AFTER ASSEMBLING ITEM 1 (FOAM ASSY) & ITEM 4 (COVER) BURN HOLES IN COVER TO ENABLE ACCESS TO T-NUTS (10 PLCS).  
 NOTES: UNLESS OTHERWISE SPECIFIED.

UNLESS OTHERWISE SPECIFIED  
 DIMENSIONS ARE IN INCHES  
 TOLERANCES ARE:  
 DECIMALS  
 .x ± .06 .xx ± .03 .xxx ± .010  
 FRACTIONS ± 1/16 ANGLES ± 1

**Convoid** P.O. Box 4209  
 Palos Verdes, CA 90274, USA

TITLE  
**VIVO-14 TRAY ASSY**

APPROVAL	DATE	SIZE	DWG NO	REV
Turner	4/27/2007	A	505703	B
CHECKED	BA			
4/30/2007				
APPROVED	EN	7/12/2007	SCALE NTS	PRODUCT VIVO-14

SHEET 1 of 1